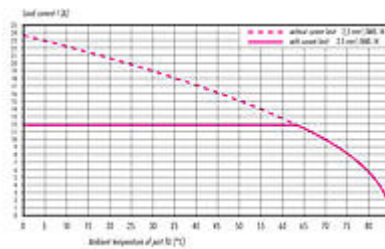


Product description	M12-K Male cable connector, Contacts: 4+PE, 8.0 - 13.0 mm, unshielded, screw clamp, IP67, UL
Area	M12-K series 824
Part no.	99 0699 29 05

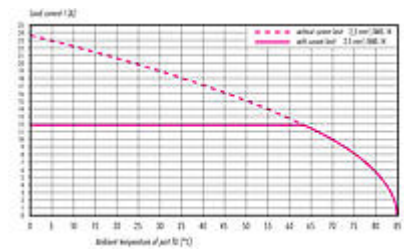
Illustration



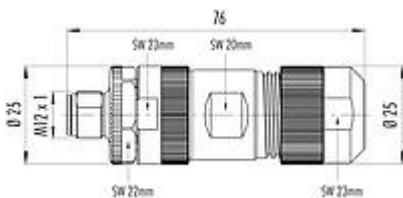
Derating curve



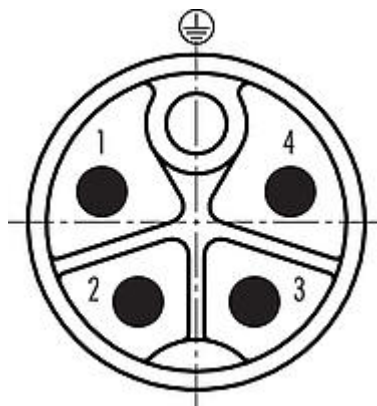
Derating curve



Scale drawing



Contact arrangement (Plug-in side)



You can find the component part drawing and assembly instructions on the next page.

Technical data

General features

Part no.	99 0699 29 05
Connector design	Male cable connector
Version	male straight
Connector locking system	screw
Termination	screw clamp
Degree of protection	IP67
Cross-sectional area	max. 1.50 mm ² with ferrule / max. 2.50 mm ² without ferrule / AWG 16 with ferrule / AWG 14 without ferrule

Automation Technology - Voltage and Power Supply

Product description	M12-K Male cable connector, Contacts: 4+PE, 8.0 - 13.0 mm, unshielded, screw clamp, IP67, UL
Area	M12-K series 824
Part no.	99 0699 29 05

Cable outlet	8.0 - 13.0 mm
Temperature range from/to	-40 °C / 85 °C
Mechanical operation	> 100 Mating cycles
Weight (g)	42.38
Customs tariff number	85369010

Electrical parameters

Rated voltage	630 V
Rated impulse voltage	6000 V
Rated impulse voltage UL	6000 V
Rated current (40 °C)	12,0 A
Insulation resistance	> 10 ¹⁰ Ω
Pollution degree	3
Overvoltage category	III
Insulating material group	I
EMC compliance	unshielded

Material

Housing material	PA
Contact body material	PA (UL94 V-0)
Contact material	CuZn (brass)
Contact plating	Au (gold)
REACH SVHC	CAS 7439-92-1 (Lead)
SCIP number	ba87115d-4312-4578-8fb9-3e7197e360aa

Authorization/approvals

Approvals	UL
-----------	----

Classifications

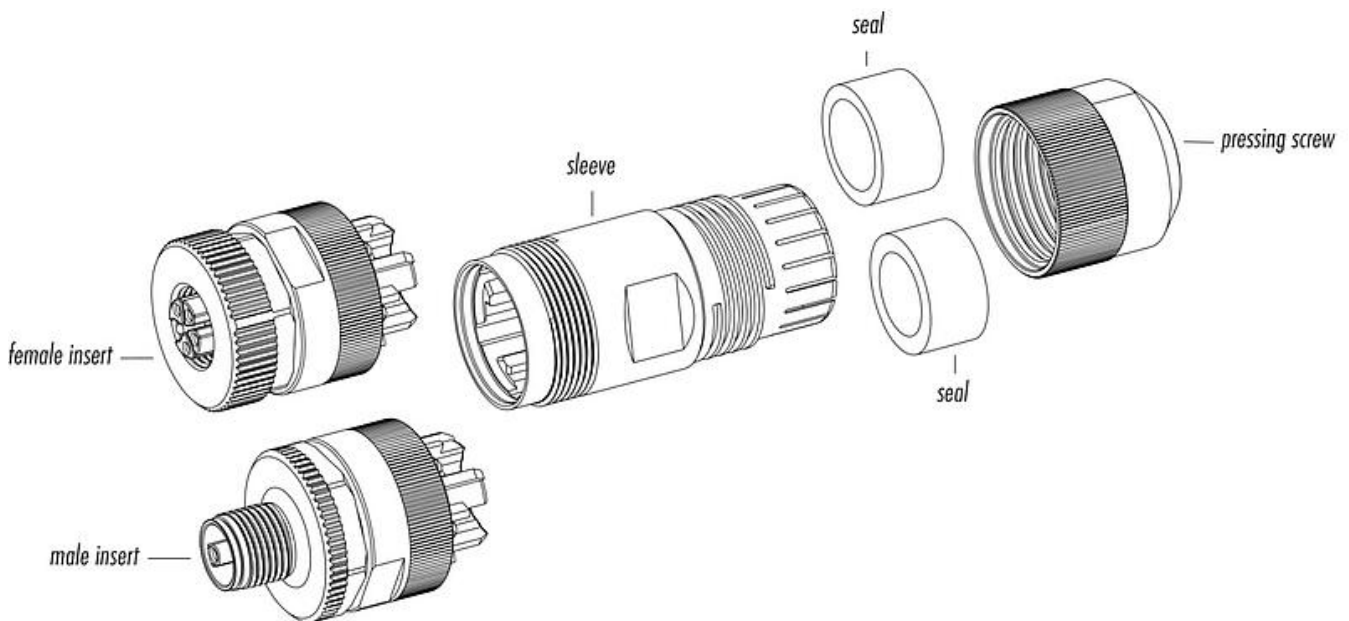
eCl@ss 11.1	27-44-01-02
ETIM 7.0	EC002635

Declarations of conformity

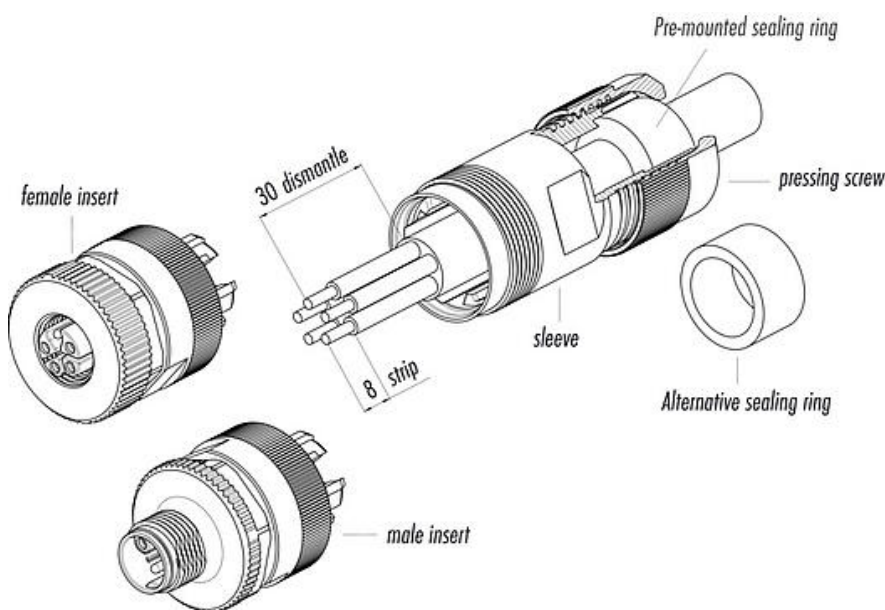
Low Voltage Directive	2014/35/EU (EN 60204-1:2018;EN 60529:1991)
-----------------------	--

Product description	M12-K Male cable connector, Contacts: 4+PE, 8.0 - 13.0 mm, unshielded, screw clamp, IP67, UL
Area	M12-K series 824
Part no.	99 0699 29 05

Component part drawing



Assembly instructions



1. Clamp out screws until bores for single wires are completely free.
2. Push pressing screw, suitable seal and sleeve individually on cable.
Attention: Change the pre-mounted sealing ring against the alternative sealing ring when cable diameter is bigger than 10.5 mm.
3. Dismantle cable.
4. Strip single cores and twist single wires.
5. Insert single wires into the holes and tighten clamping screws (0.4 Nm).
7. Screw contact insert onto the sleeve.
8. Screw and tighten pressing screw (max. 2.0 Nm).

Recommendation: Secure contact insert against unintentional unmating as required and necessary.

Product description	M12-K Male cable connector, Contacts: 4+PE, 8.0 - 13.0 mm, unshielded, screw clamp, IP67, UL
Area	M12-K series 824
Part no.	99 0699 29 05

Security notices

The connector must not be plugged or unplugged under load. Non-observance and improper use can result in personal injury.

The connectors have been developed for applications in plant engineering, control and electrical equipment construction. The user is responsible for checking whether the connectors can also be used in other areas of application.

To protect against unintentional opening of the connector, the thread between the housing and the connector head must be secured with a suitable cyanoacrylate adhesive when used in circuits with voltages dangerous to the touch. This does not apply to connectors used in SELV and PELV circuits according to IEC 61140 (EN 61140, VDE 0140-1).

Connectors which are used in circuits with voltages dangerous to the touch may only be installed and used by, or under the supervision of, persons with electrical engineering training, taking into account the applicable regulations and standards.

The user must take suitable safety precautions to ensure that the connector cannot be accidentally disconnected.

Plug connectors with enclosure protection IP67 and IP68 are not suitable for use under water. When used outdoors, the plug connectors must be protected separately against corrosion. For further information on the IP protection classes, please refer to the "Technical Information" download centre.

To lock the cable connector with the device connector, the threaded ring is tightened "hand-tight" (approx. 60 cNm).

In the case of cable connectors with a metal threaded ring, it is imperative to ensure a connection with the PE protective contact of the appliance connector. Connecting cables between appliance connectors that are not connected to the PE contact are not permitted. The user must ensure a continuous connection of the protective earth conductor.