

# Product data sheet

## Automation technology - data transmission

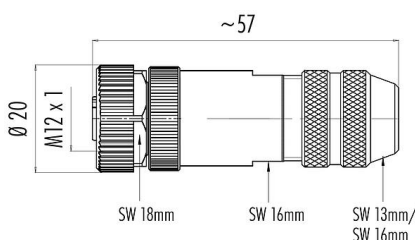


|                     |  |
|---------------------|--|
| Product description | M12-B Female cable connector, Contacts: 5, 6.5-8.5 mm, shieldable, screw clamp, IP67, UL |
| Area                | M12-B series 715   |
| Part no.            | 99 1436 910 05   |

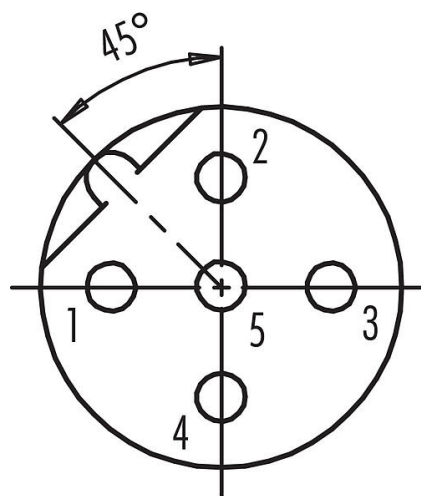
### Illustration



### Scale drawing



### Contact arrangement (Plug-in side)



You can find the component part drawing and assembly instructions on the next page.

### Technical data

#### General features

|                           |                                    |
|---------------------------|------------------------------------|
| Part no.                  | 99 1436 910 05                     |
| Connector design          | Female cable connector             |
| Version                   | Connector socket straight          |
| Connector locking system  | screw                              |
| Termination               | screw clamp                        |
| Degree of protection      | IP67                               |
| Cross-sectional area      | max. 0.75 mm <sup>2</sup> / AWG 18 |
| Cable outlet              | 6.5-8.5 mm                         |
| Temperature range from/to | -40 °C / 85 °C                     |
| Mechanical operation      | > 50 Mating cycles                 |
| Weight (g)                | 46.19                              |
| Customs tariff number     | 85369010                           |

#### Electrical parameters

|                           |                      |
|---------------------------|----------------------|
| Rated voltage             | 60 V                 |
| Rated impulse voltage     | 1500 V               |
| Rated current (40 °C)     | 4.0 A                |
| Insulation resistance     | ≥ 10 <sup>10</sup> Ω |
| Pollution degree          | 3                    |
| Overvoltage category      | II                   |
| Insulating material group | III                  |

# Product data sheet

## Automation technology - data transmission



|                     |   |
|---------------------|---|
| Product description | <b>M12-B Female cable connector, Contacts: 5, 6.5-8.5 mm, shieldable, screw clamp, IP67, UL</b> |
| Area                | <b>M12-B series 715</b>   |
| Part no.            | <b>99 1436 910 05</b>   |

|                   |                |
|-------------------|----------------|
| EMC compliance    | shieldable     |
| Shield connection | Shielding ring |

### Material

|                       |                                      |
|-----------------------|--------------------------------------|
| Housing material      | Zinc die-cast nickel-plated          |
| Contact body material | PA                                   |
| Contact material      | CuZn (brass)                         |
| Contact plating       | Au (gold)                            |
| Locking material      | Zinc die-cast nickel-plated          |
| REACH SVHC            | CAS 7439-92-1 (Lead)                 |
| SCIP number           | 4e94c4f3-a573-4dad-8022-28a6b8c5f8a2 |

### Authorization/approvals

|           |    |
|-----------|----|
| Approvals | UL |
|-----------|----|

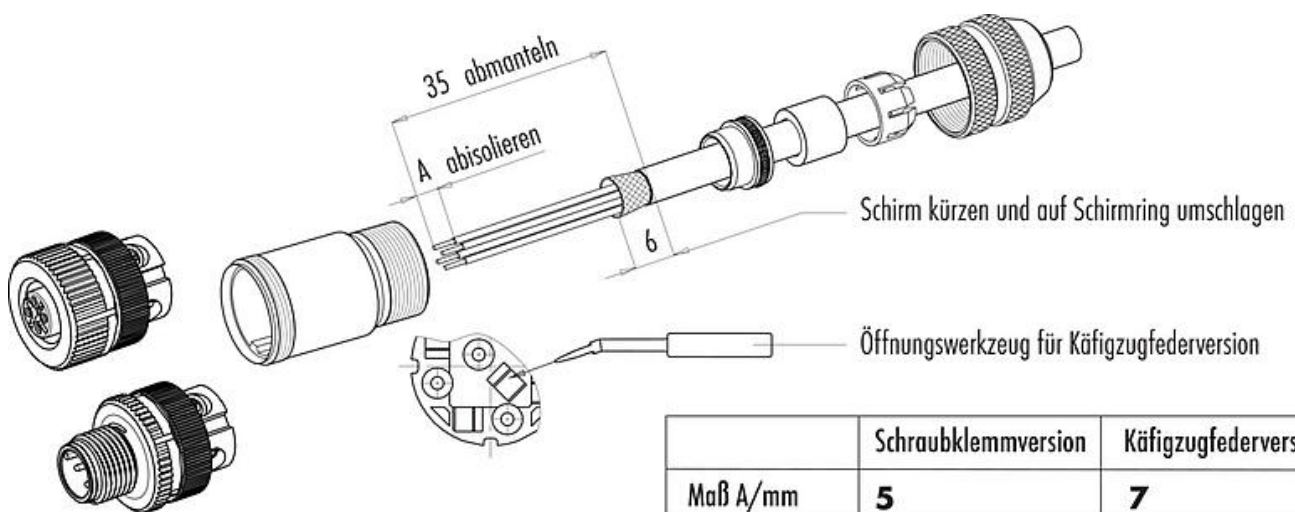
### Classifications

|             |             |
|-------------|-------------|
| eCl@ss 11.1 | 27-44-01-02 |
| ETIM 7.0    | EC002635    |

### Declarations of conformity

|                       |  |
|-----------------------|--|
| Low Voltage Directive | 2014/35/EU (EN 60204-1:2018;EN 60529:1991) |
|-----------------------|--|

### Assembly instructions

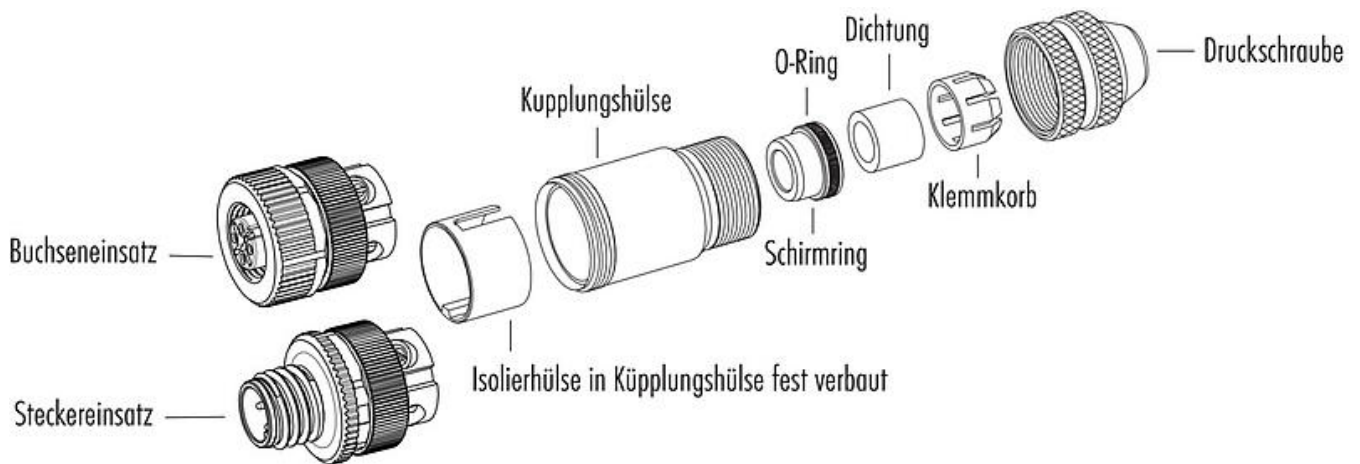


# Product data sheet

## Automation technology - data transmission

|                     |  |
|---------------------|--|
| Product description | M12-B Female cable connector, Contacts: 5, 6.5-8.5 mm, shieldable, screw clamp, IP67, UL |
| Area                | M12-B series 715   |
| Part no.            | 99 1436 910 05   |

### Component part drawing



# Product data sheet

## Automation technology - data transmission



|                     |   |
|---------------------|---|
| Product description | <b>M12-B Female cable connector, Contacts: 5, 6.5-8.5 mm, shieldable, screw clamp, IP67, UL</b> |
| -                   | -   |
| Area                | <b>M12-B series 715</b>   |
| Part no.            | <b>99 1436 910 05</b>   |

### Security notices

The connectors have been developed for applications in plant engineering, control and electrical equipment construction. The user is responsible for checking whether the connectors can also be used in other areas of application.

Plug connectors with enclosure protection IP67 and IP68 are not suitable for use under water. When used outdoors, the plug connectors must be protected separately against corrosion. For further information on the IP protection classes, please refer to the "Technical Information" download centre.

To lock the cable connector with the device connector, the threaded ring is tightened "hand-tight" (approx. 60 cNm).