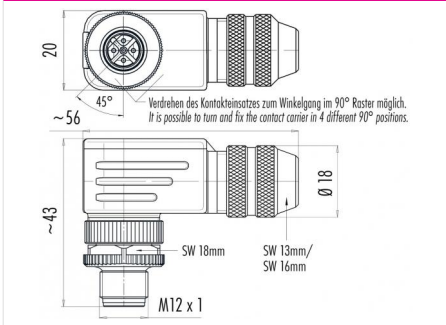


Product description	M12-B male angled connector, Contacts: 5, 6.5 - 8.5 mm, shieldable, screw clamp, IP67, UL
Area	M12-B series 715
Order number	99 1437 920 05

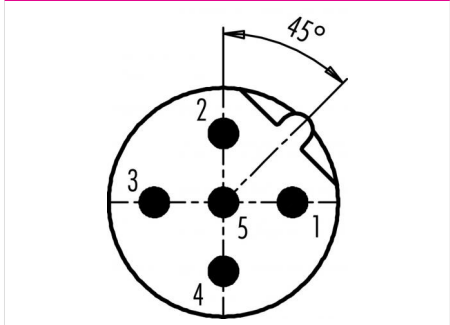
**Illustration**



**Scale drawing**



**Contact arrangement (Plug-in side)**



You can find the component part drawing and assembly instructions on the next page.

**Technical data**

**General features**

Order number	99 1437 920 05
Connector design	male angled connector
Version	connector male angled
Connector locking system	screw
Termination	screw clamp
Degree of protection	IP67
Cross-sectional area	max. 0.75 mm <sup>2</sup> / max. AWG 18
Cable outlet	6.5 - 8.5 mm
Twistability	90° (4 coding options)
Temperature range from/to	-40 °C / 85 °C
Mechanical operation	> 50 Mating cycles
Weight (g)	65.481
Customs tariff number	85369010

**Material**

Housing material	Zinc die-cast nickel-plated
Contact body material	PA
Contact material	CuZn (brass)
Contact plating	Au (gold)
Locking material	Zinc die-cast nickel-plated
REACH SVHC	CAS 7439-92-1 (Lead)

**Classifications**

eCl@ss 11.1	27-44-01-02
ETIM 7.0	EC002635

**Electrical parameters**

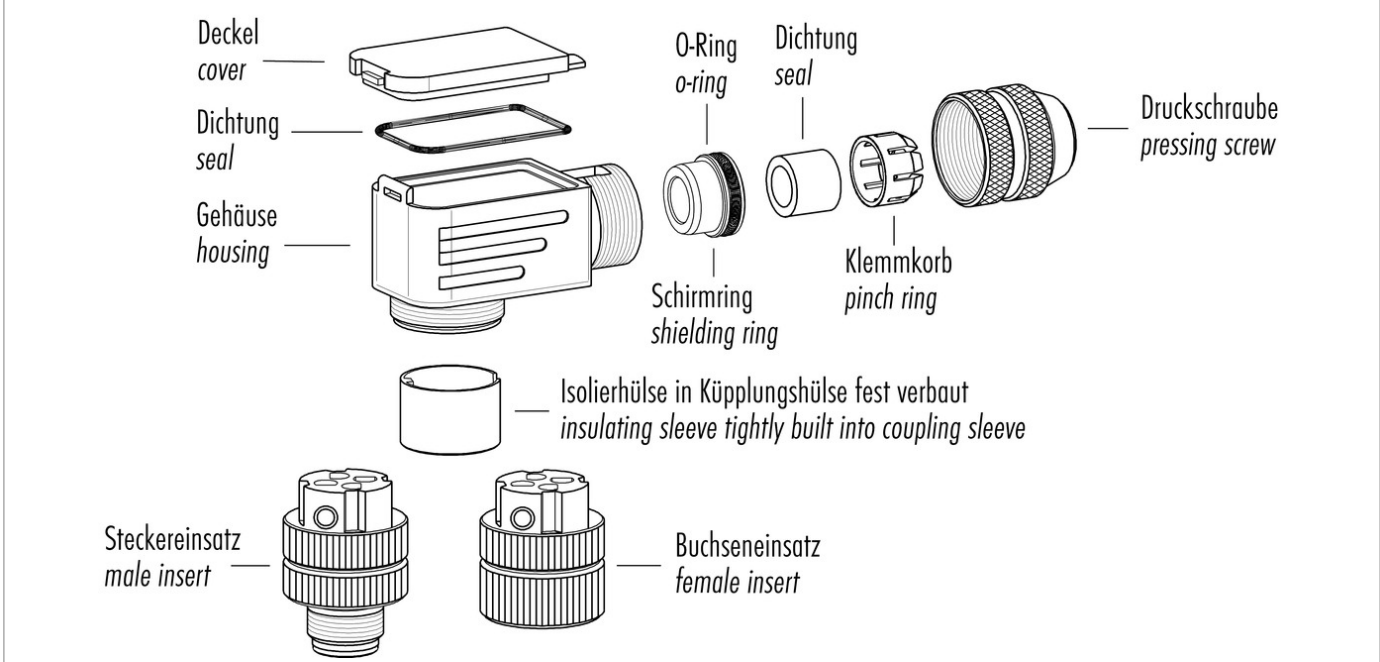
Rated voltage	60 V
Rated impulse voltage	1500 V
Rated current (40 °C)	4 A
Insulation resistance	≥ 10 <sup>10</sup> Ω
Pollution degree	3
Overvoltage category	II
Insulating material group	III
EMC compliance	shieldable
Shield connection	shield ring

**Declarations of conformity**

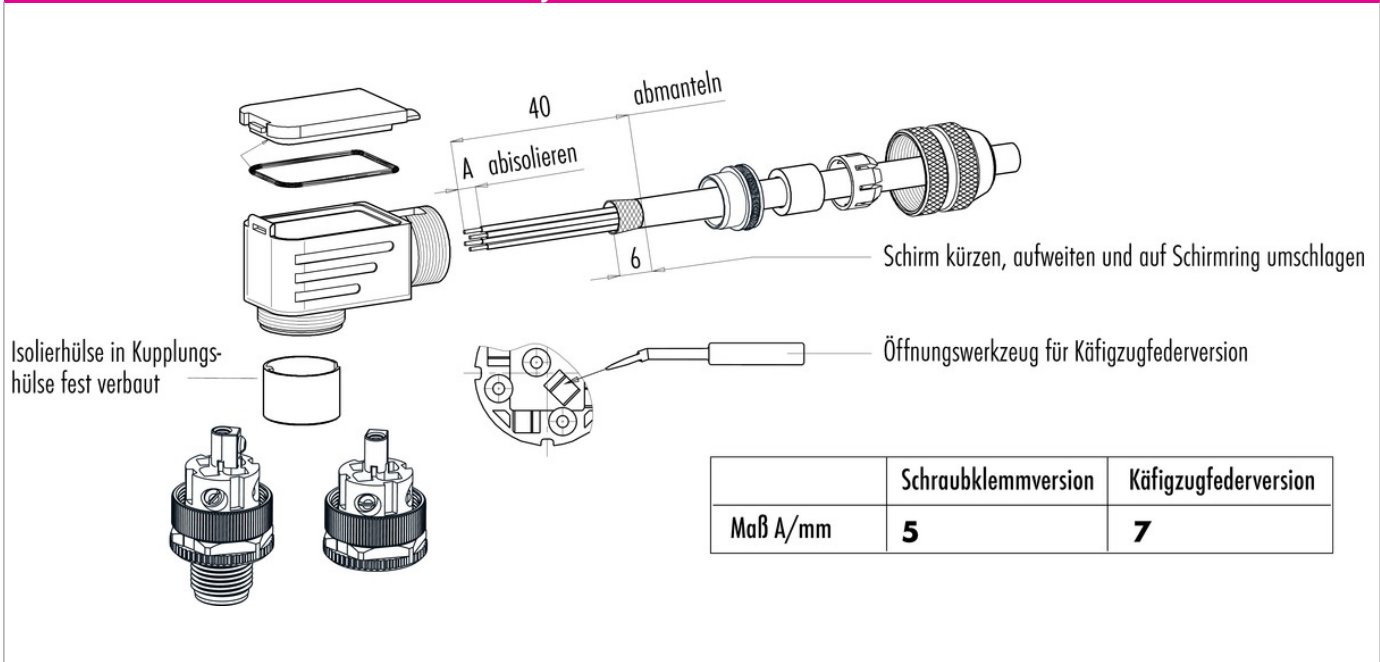
Low Voltage Directive	2014/35/EU (EN 60204-1:2018;EN 60529:1991)
-----------------------	--

Product description	M12-B male angled connector, Contacts: 5, 6.5 - 8.5 mm, shieldable, screw clamp, IP67, UL
Area	M12-B series 715
Order number	99 1437 920 05

**Component part drawing**



**Assembly instructions / Panel cut-out**



	Schraubklemmversion	Käfigzugfederversion
Maß A/mm	<b>5</b>	<b>7</b>

Product description	M12-B male angled connector, Contacts: 5, 6.5 - 8.5 mm, shieldable, screw clamp, IP67, UL
Area	M12-B series 715
Order number	99 1437 920 05

## Security notices

The connectors have been developed for applications in plant engineering, control and electrical equipment construction. The user is responsible for checking whether the connectors can also be used in other areas of application.

Plug connectors with enclosure protection IP 67 and IP 68 are not suitable for use under water. When used outdoors, the plug connectors must be protected separately against corrosion. For further information on the IP protection classes, please refer to the "Technical Information" download centre. To lock the cable connector with the device connector, the threaded ring is tightened "hand-tight" (approx. 60 cNm).