

Product description	M12-A male cable connector, Contacts: 5, 4.0 - 6.0 mm, shieldable, wire clamp, IP67
Area	M12-A series 713
Order number	99 1537 814 05

Illustration	Scale drawing	Contact arrangement (Plug-in side)

You can find the component part drawing and assembly instructions on the next page.

## Technical data

### General features

Order number	99 1537 814 05
Connector design	male cable connector
Version	connector male straight
Connector locking system	screw
Termination	wire clamp
Degree of protection	IP67
Cross-sectional area	max. 0.50 mm <sup>2</sup> / max. AWG 20
Cable outlet	4.0 - 6.0 mm
Temperature range from/to	-40 °C / 85 °C
Mechanical operation	> 100 Mating cycles
Weight (g)	42.743
Customs tariff number	85369010

### Electrical parameters

Rated voltage	60 V
Rated impulse voltage	1500 V
Rated current (40 °C)	4 A
Insulation resistance	> 10 <sup>8</sup> Ω
Pollution degree	3
Overvoltage category	II
Insulating material group	III
EMC compliance	shieldable
Shield connection	shield ring

### Material

Housing material	Zinc die-cast nickel-plated
Contact body material	PA
Contact material	CuZn (brass)
Contact plating	Au (gold)
REACH SVHC	CAS 96-45-7 (Imidazolidine-2-thione)
	CAS 7439-92-1 (Lead)

### Classifications

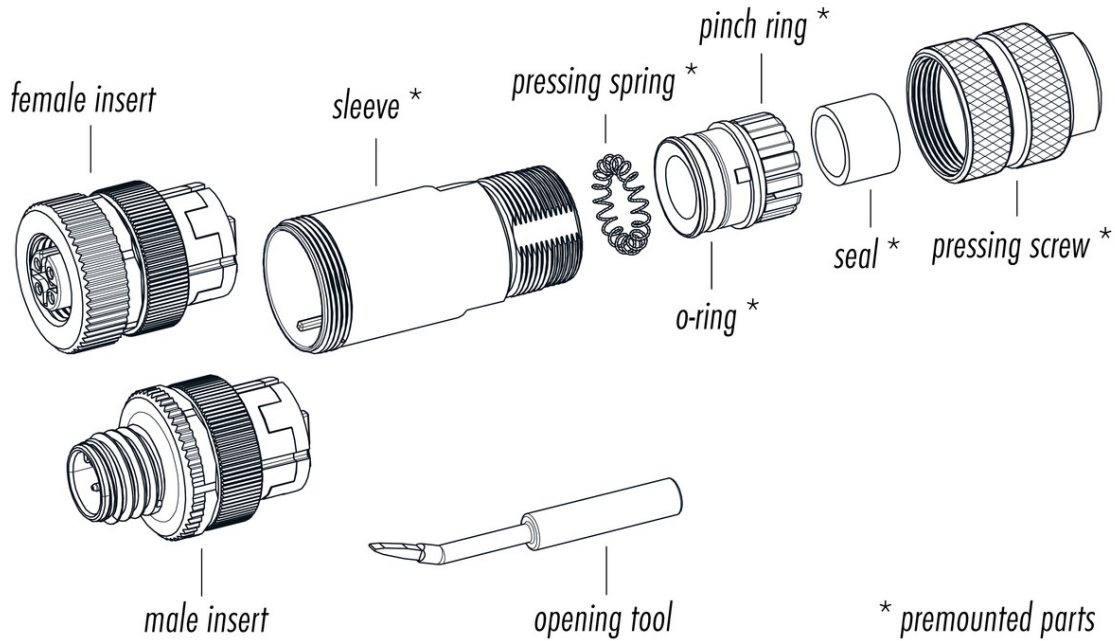
eCl@ss 11.1	27-44-01-02
ETIM 7.0	EC002635

### Declarations of conformity

Low Voltage Directive	2014/35/EU (EN 60204-1:2018; EN 60529:1991)
-----------------------	---

Product description **M12-A male cable connector, Contacts: 5, 4.0 - 6.0 mm, shieldable, wire clamp, IP67**  
 Area **M12-A series 713**  
 Order number **99 1537 814 05**

Component part drawing



Assembly instructions / Panel cut-out

Isolierhülse in Kupplungshülse fest verbaut  
 insulating sleeve tightly built into coupling sleeve

40 abmanteln  
 dismantle

A abisolieren  
 strip

6

Schirm kürzen, aufweiten und auf Schirmring umschlagen  
 shorten and widening of shield and revert to shielding ring

Öffnungswerkzeug für Käfigzugfederversion  
 opening tool for wire clamp connection

	Schraubklemmversion screw connection	Lötversion solder version	Käfigzugfederversion (ohne Isolierhülse) wire clamp connection (without insulating sleeve)
Maß A/mm measure A/mm	<b>5</b>	<b>3,5</b>	<b>7</b>

Product description	<b>M12-A male cable connector, Contacts: 5, 4.0 - 6.0 mm, shieldable, wire clamp, IP67</b>
Area	<b>M12-A series 713</b>
Order number	<b>99 1537 814 05</b>

## Security notices

The connectors have been developed for applications in plant engineering, control and electrical equipment construction. The user is responsible for checking whether the connectors can also be used in other areas of application.

Plug connectors with enclosure protection IP 67 and IP 68 are not suitable for use under water. When used outdoors, the plug connectors must be protected separately against corrosion. For further information on the IP protection classes, please refer to the "Technical Information" download centre. To lock the cable connector with the device connector, the threaded ring is tightened "hand-tight" (approx. 60 cNm).