

Product data sheet

Miniature connectors

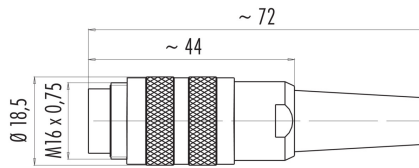


Product description	M16 IP40 male cable connector, Contacts: 24, 6.0 - 8.0 mm, shieldable, solder, IP40
Area	M16 IP40 series 581
Part no.	99 2045 02 24

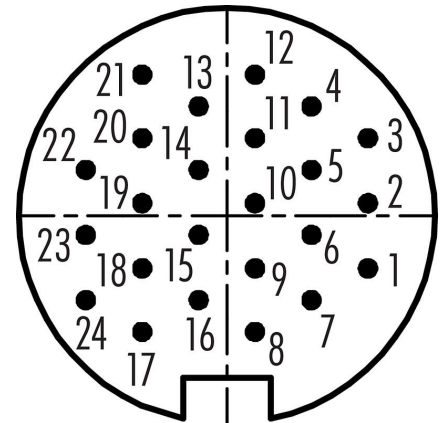
Illustration



Scale drawing



Contact arrangement (Plug-in side)



You can find the component part drawing on the next page.

Technical data

General features

Part no.	99 2045 02 24
Connector design	male cable connector
Version	connector male straight
Connector locking system	screw
Termination	solder
Degree of protection	IP40
Cross-sectional area	0.14 mm ² / AWG 26
Cable outlet	6.0 - 8.0 mm
Temperature range from/to	-40 °C / 85 °C
Mechanical operation	> 500 Mating cycles
Weight (g)	24.96
Customs tariff number	85369010

Electrical parameters

Rated voltage	60 V
Rated impulse voltage	500 V
Rated current (40 °C)	1 A
Insulation resistance	≥ 10 ¹⁰ Ω
Pollution degree	1
Overvoltage category	I
Insulating material group	III

Product data sheet

Miniature connectors

Product description M16 IP40 male cable connector, Contacts: 24, 6.0 - 8.0 mm, shieldable, solder, IP40

Area M16 IP40 series 581
Part no. 99 2045 02 24

EMC compliance shieldable
Shield connection Soldering lug

Material

Contact body material	PBT (UL94 V-0)
Contact material	CuZn (brass)
Contact plating	Au (gold)
REACH SVHC	CAS 7439-92-1 (Lead)
SCIP number	SCIP-number not available

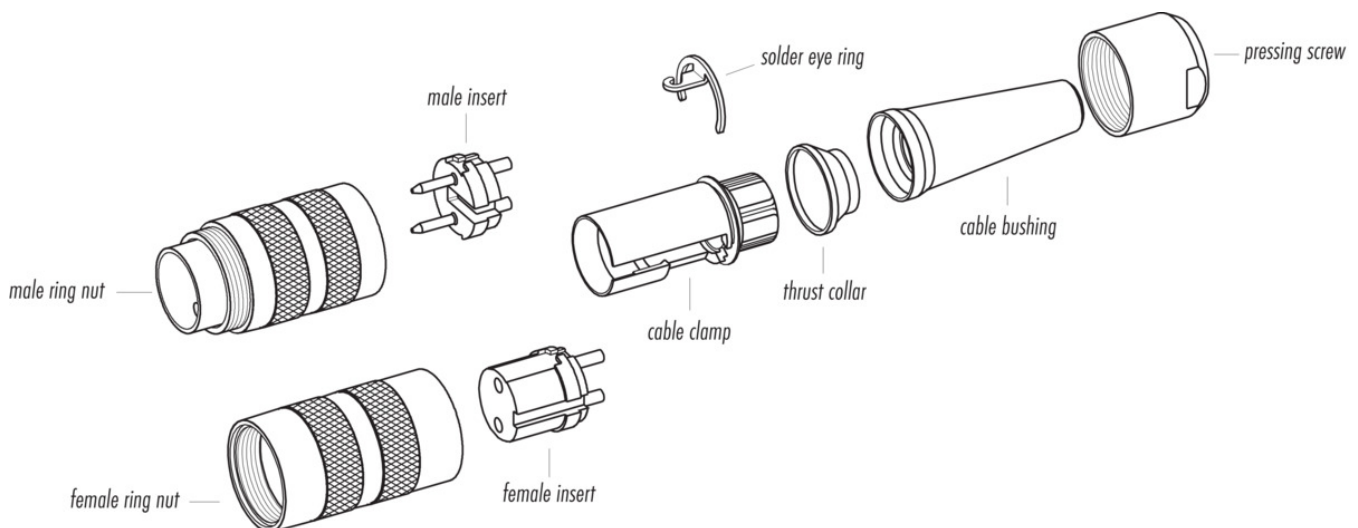
Classifications

eCl@ss 11.1	27-44-01-02
ETIM 7.0	EC002635

Declarations of conformity

Low Voltage Directive	2014/35/EU (EN 60204-1:2018;EN 60529:1991)
-----------------------	--

Component part drawing



Product data sheet

Miniature connectors



Product description	M16 IP40 male cable connector, Contacts: 24, 6.0 - 8.0 mm, shieldable, solder, IP40
Area	M16 IP40 series 581
Part no.	99 2045 02 24

Security notices

The connectors have been developed for applications in plant engineering, control and electrical equipment construction. The user is responsible for checking whether the connectors can also be used in other areas of application.

To lock the cable connector with the device connector, the threaded ring is tightened "hand-tight" (approx. 50 cNm).