

Product description	M12-US male cable connector, Contacts: 2+PE, 4.0 - 6.0 mm, unshielded, screw clamp, IP67, UL
Area	M12-US series 815
Order number	99 2429 14 03

Illustration	Scale drawing	Contact arrangement (Plug-in side)						
		<table style="margin-left: auto; margin-right: 0;"> <tr> <td style="padding-right: 10px;">1</td> <td>grün/gelb</td> </tr> <tr> <td>2</td> <td>blau</td> </tr> <tr> <td>3</td> <td>schwarz</td> </tr> </table>	1	grün/gelb	2	blau	3	schwarz
1	grün/gelb							
2	blau							
3	schwarz							

You can find the component part drawing and assembly instructions on the next page.

Technical data

General features

Order number	99 2429 14 03
Connector design	male cable connector
Version	connector male straight
Connector locking system	screw
Termination	screw clamp
Degree of protection	IP67
Cross-sectional area	max. 0.75 mm ² / max. AWG 18
Cable outlet	4.0 - 6.0 mm
Temperature range from/to	-25 °C / 85 °C
Mechanical operation	> 50 Mating cycles
Weight (g)	23.144
Customs tariff number	85369010

Electrical parameters

Rated voltage	250 V
Rated impulse voltage	2500 V
Rated current (40 °C)	4 A
Insulation resistance	≥ 10 ¹⁰ Ω
Pollution degree	3
Overvoltage category	II
Insulating material group	II
EMC compliance	unshielded

Material

Housing material	PA
Contact body material	PA
Contact material	CuZn (brass)
Contact plating	CuSnZn (Optalloy)
REACH SVHC	CAS 96-45-7 (Imidazolidine-2-thione) CAS 7439-92-1 (Lead)

Classifications

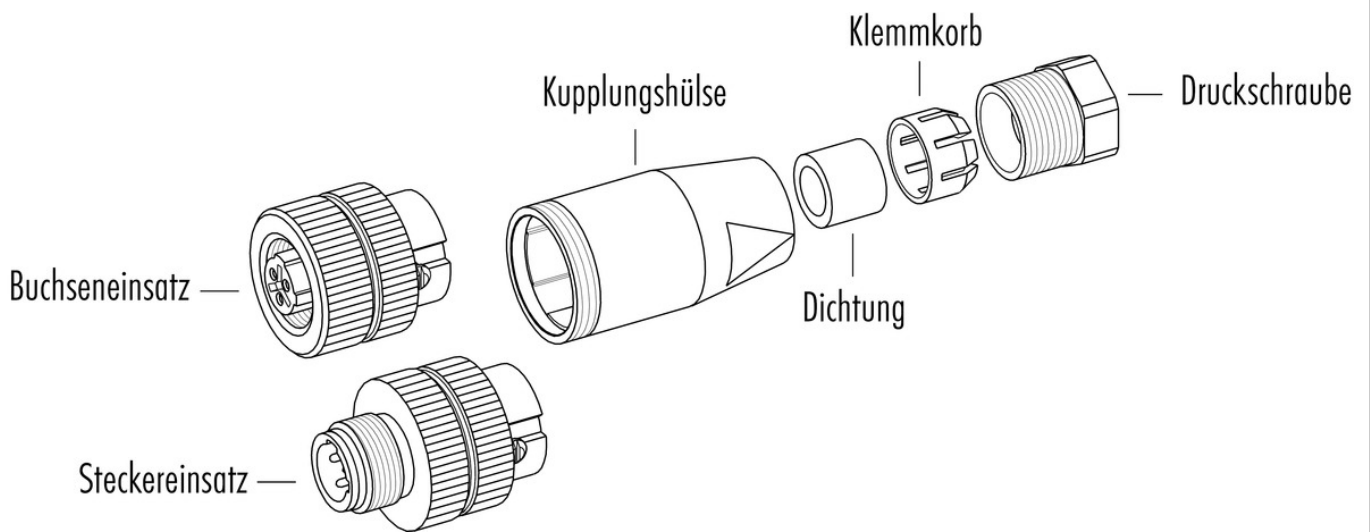
eCl@ss 11.1	27-44-01-02
ETIM 7.0	EC002635

Declarations of conformity

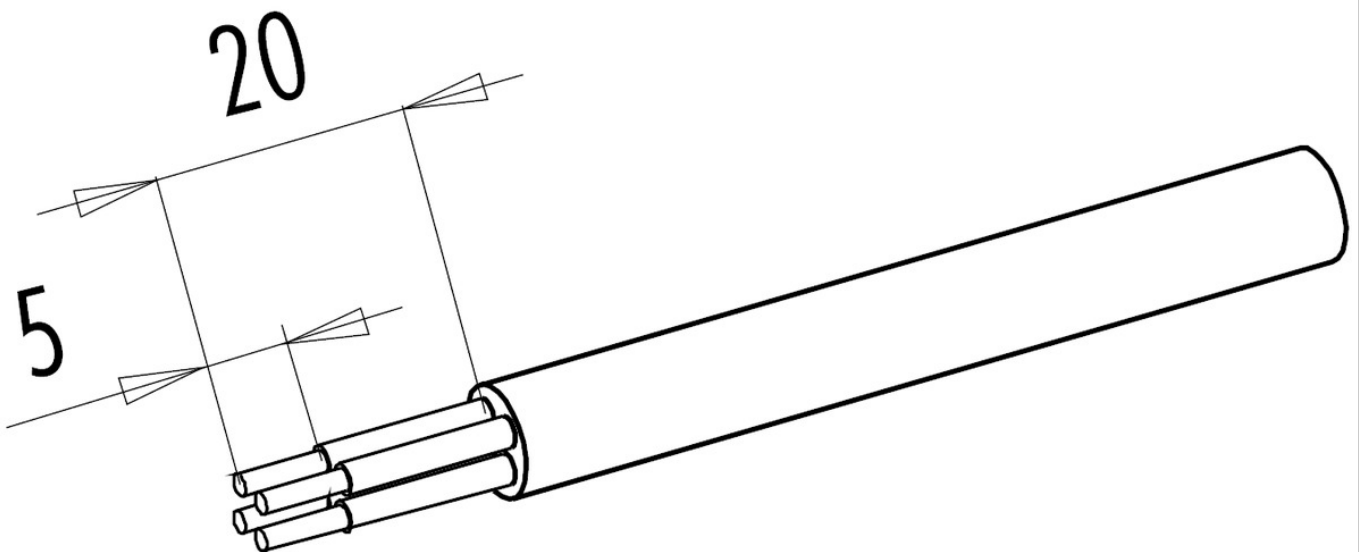
Low Voltage Directive	2014/35/EU (EN 60204-1:2018;EN 60529:1991)
-----------------------	--------------------------------------------

Product description	M12-US male cable connector, Contacts: 2+PE, 4.0 - 6.0 mm, unshielded, screw clamp, IP67, UL
Area	M12-US series 815
Order number	99 2429 14 03

Component part drawing



Assembly instructions / Panel cut-out



Product description	M12-US male cable connector, Contacts: 2+PE, 4.0 - 6.0 mm, unshielded, screw clamp, IP67, UL
Area	M12-US series 815
Order number	99 2429 14 03

Security notices

The connector must not be plugged or unplugged under load. Non-observance and improper use can result in personal injury.

The connectors have been developed for applications in plant engineering, control and electrical equipment construction. The user is responsible for checking whether the connectors can also be used in other areas of application.

To protect against unintentional opening of the connector, the thread between the housing and the connector head must be secured with a suitable cyanoacrylate adhesive when used in circuits with voltages dangerous to the touch. This does not apply to connectors used in SELV and PELV circuits according to IEC 61140 (EN 61140, VDE 0140-1).

Connectors which are used in circuits with voltages dangerous to the touch may only be installed and used by, or under the supervision of, persons with electrical engineering training, taking into account the applicable regulations and standards.

Plug connectors with enclosure protection IP 67 and IP 68 are not suitable for use under water. When used outdoors, the plug connectors must be protected separately against corrosion. For further information on the IP protection classes, please refer to the "Technical Information" download centre. To lock the cable connector with the device connector, the threaded ring is tightened "hand-tight" (approx. 50 cNm).