

Product description	7/8" male cable connector, Contacts: 2+PE, 6.0 - 8.0 mm, unshielded, screw clamp, IP67, UL, VDE
Area	7/8" series 820
Order number	99 2441 12 03

Illustration	Scale drawing	Contact arrangement (Plug-in side)												
	<table border="1" style="margin: 10px auto;"> <tr> <th colspan="2">A</th> <th colspan="2">B</th> </tr> <tr> <td>6-8mm</td> <td>SW 16mm</td> <td>6-8mm</td> <td>SW 19mm</td> </tr> <tr> <td>10-12mm</td> <td>SW 21mm</td> <td>10-12mm</td> <td>SW 24mm</td> </tr> </table>	A		B		6-8mm	SW 16mm	6-8mm	SW 19mm	10-12mm	SW 21mm	10-12mm	SW 24mm	<div style="margin-left: 20px;"> <p>1 green/yellow</p> <p>2 brown</p> <p>3 blue</p> </div>
A		B												
6-8mm	SW 16mm	6-8mm	SW 19mm											
10-12mm	SW 21mm	10-12mm	SW 24mm											

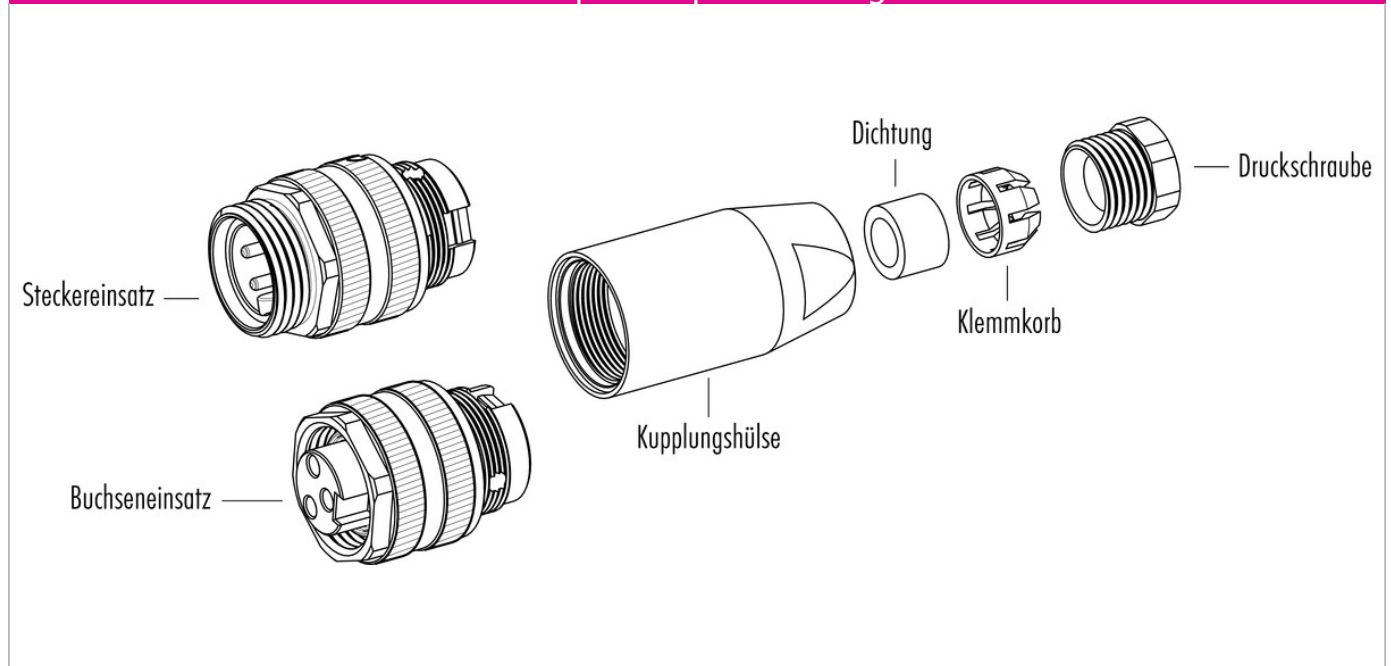
You can find the component part drawing and assembly instructions on the next page.

Technical data

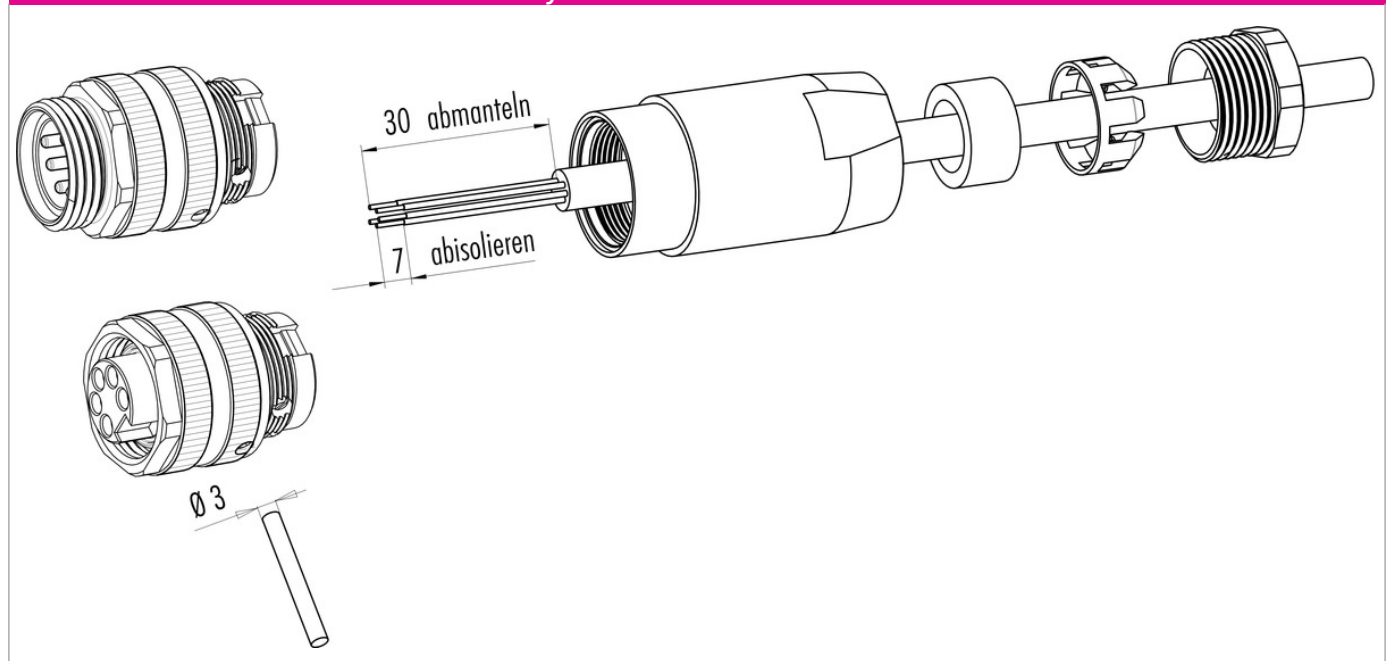
<h3 style="color: #e91e63; margin: 0;">General features</h3> <p>Order number 99 2441 12 03</p> <p>Connector design male cable connector</p> <p>Version connector male straight</p> <p>Connector locking system screw</p> <p>Termination screw clamp</p> <p>Degree of protection IP67</p> <p>Cross-sectional area max. 1.50 mm<sup>2</sup> / max. AWG 16</p> <p>Cable outlet 6.0 - 8.0 mm</p> <p>Temperature range from/to -25 °C / 85 °C</p> <p>Mechanical operation &gt; 50 Mating cycles</p> <p>Weight (g) 49.159</p> <p>Customs tariff number 85369010</p>	<h3 style="color: #e91e63; margin: 0;">Material</h3> <p>Housing material PBT</p> <p>Contact body material PUR/PA</p> <p>Contact material Pin: CuZn (brass) / Socket: CuSn (bronze) Au (gold)</p> <p>Contact plating Zinc die-cast nickel-plated</p> <p>Locking material CAS 7439-92-1 (Lead)</p> <p>REACH SVHC</p>	<h3 style="color: #e91e63; margin: 0;">Classifications</h3> <p>eCl@ss 11.1 27-44-01-02</p> <p>ETIM 7.0 EC002635</p>
<h3 style="color: #e91e63; margin: 0;">Electrical parameters</h3> <p>Rated voltage 300 (UL 600 V) V</p> <p>Rated impulse voltage 4000 V</p> <p>Rated current (40 °C) 12 A</p> <p>Insulation resistance ≥ 10<sup>10</sup> Ω</p> <p>Pollution degree 3</p> <p>Overtoltage category III</p> <p>Insulating material group III</p> <p>EMC compliance unshielded</p>	<h3 style="color: #e91e63; margin: 0;">Declarations of conformity</h3> <p>Low Voltage Directive 2014/35/EU (EN 60204-1:2018;EN 60529:1991)</p>	

Product description	7/8" male cable connector, Contacts: 2+PE, 6.0 - 8.0 mm, unshielded, screw clamp, IP67, UL, VDE
Area	7/8" series 820
Order number	99 2441 12 03

Component part drawing



Assembly instructions / Panel cut-out



Product description	7/8" male cable connector, Contacts: 2+PE, 6.0 - 8.0 mm, unshielded, screw clamp, IP67, UL, VDE
Area	7/8" series 820
Order number	99 2441 12 03

## Security notices

The connector must not be plugged or unplugged under load. Non-observance and improper use can result in personal injury.

The connectors have been developed for applications in plant engineering, control and electrical equipment construction. The user is responsible for checking whether the connectors can also be used in other areas of application.

Connectors which are used in circuits with voltages dangerous to the touch may only be installed and used by, or under the supervision of, persons with electrical engineering training, taking into account the applicable regulations and standards.

Plug connectors with enclosure protection IP 67 and IP 68 are not suitable for use under water. When used outdoors, the plug connectors must be protected separately against corrosion. For further information on the IP protection classes, please refer to the "Technical Information" download centre. To lock the cable connector with the device connector, the threaded ring is tightened "hand-tight" (approx. 50 cNm).