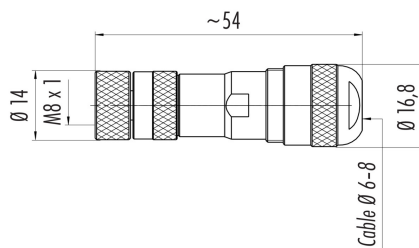


Product description	M8 female cable connector, Contacts: 3, 6.0 - 8.0 mm, shieldable, screw clamp, IP67, UL
Area	M8 series 768
Part no.	99 3360 300 03

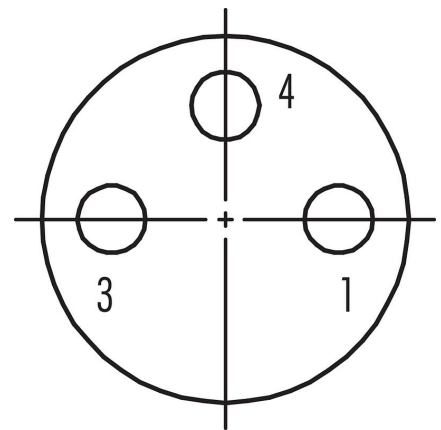
### Illustration



### Scale drawing



### Contact arrangement (Plug-in side)



You can find the component part drawing and assembly instructions on the next page.

## Technical data

### General features

Part no.	99 3360 300 03
Connector design	female cable connector
Version	female straight
Connector locking system	screw
Termination	screw clamp
Degree of protection	IP67
Cross-sectional area	0.14 - 0.50 mm <sup>2</sup> / AWG 26 - 20
Cable outlet	6.0 - 8.0 mm
Temperature range from/to	-40 °C / 85 °C
Mechanical operation	> 100 Mating cycles
Weight (g)	31.60
Customs tariff number	85369010

### Electrical parameters

Rated voltage	60 V
Rated impulse voltage	1500 V
Rated current (40 °C)	4,0 A
Pollution degree	3
Overvoltage category	III

# Product data sheet

## Automation technology - sensors and actuators

Product description	M8 female cable connector, Contacts: 3, 6.0 - 8.0 mm, shieldable, screw clamp, IP67, UL
Area	M8 series 768
Part no.	99 3360 300 03

Insulating material group	II
EMC compliance	shieldable
Shield connection	shielding ring

### Material

Housing material	CuZn (Brass nickel plated)
Contact body material	PA66 (UL94HB)
Contact material	CuZn (brass)
Contact plating	Au (gold)
Locking material	CuZn (brass)
REACH SVHC	CAS 96-45-7 (Imidazolidine-2-thione) CAS 7439-92-1 (Lead)
SCIP number	23cb058f-07ed-4616-9e6c-3f65972e812d

### Authorization/approvals

Approvals	UL
-----------	----

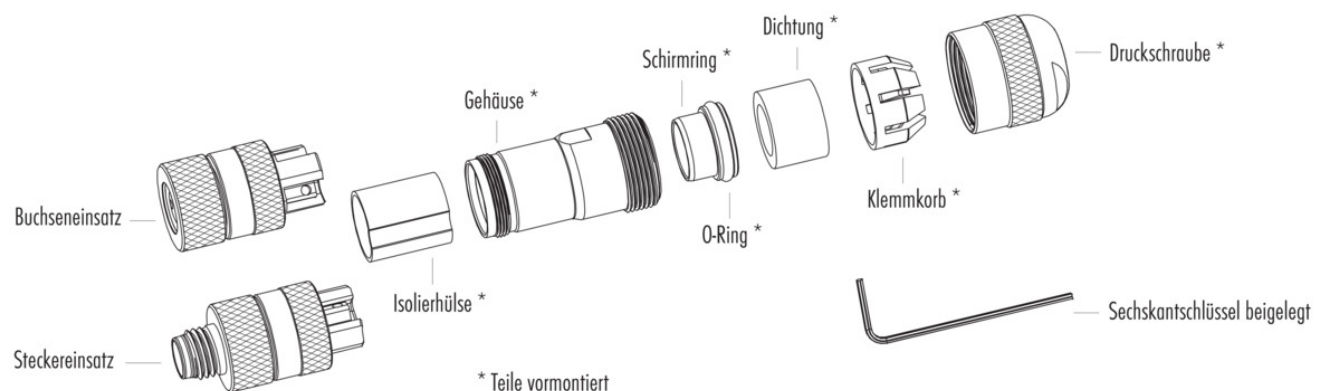
### Classifications

eCl@ss 11.1	27-44-01-02
ETIM 7.0	EC002635

### Declarations of conformity

Low Voltage Directive	2014/35/EU (EN 60204-1:2018;EN 60529:1991)
-----------------------	--

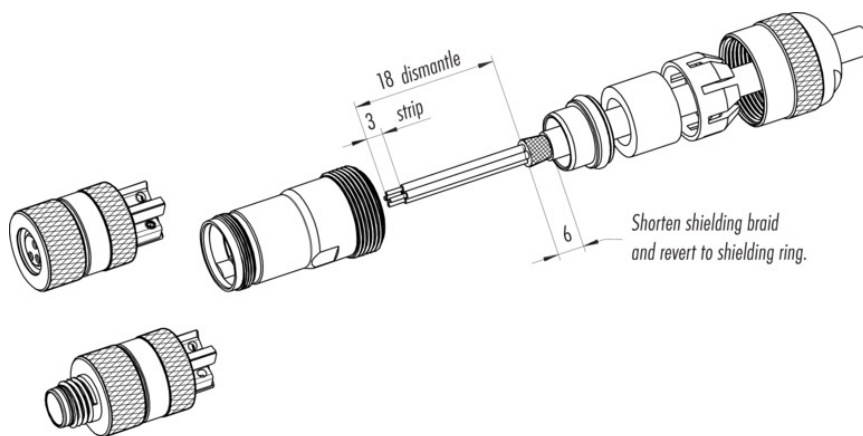
### Component part drawing



Product description **M8 female cable connector, Contacts: 3, 6.0 - 8.0 mm, shieldable, screw clamp, IP67, UL**

Area **M8 series 768**  
Part no. **99 3360 300 03**

## Assembly instructions



Cable outlet 4-5,5 mm

1. Bead parts.
2. Strip cable, shorten shielding braid and revert to shielding ring.
3. Connect single wires.
4. Screw housing to either male or female contact carrier and tighten pressing screw.

Product description	<b>M8 female cable connector, Contacts: 3, 6.0 - 8.0 mm, shieldable, screw clamp, IP67, UL</b>
Area	<b>M8 series 768</b>
Part no.	<b>99 3360 300 03</b>

### **Security notices**

The connectors have been developed for applications in plant engineering, control and electrical equipment construction. The user is responsible for checking whether the connectors can also be used in other areas of application.

To lock the cable connector with the device connector, the threaded ring is tightened "hand-tight" (approx. 50 cNm).