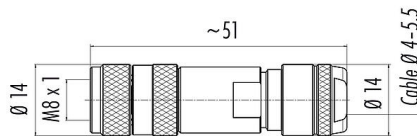


Product description	M8-D Female cable connector, Contacts: 4, 4.0-5.5 mm, shieldable, screw clamp, IP67, M8x1.0
Area	M8-D series 818
Part no.	99 3368 100 04

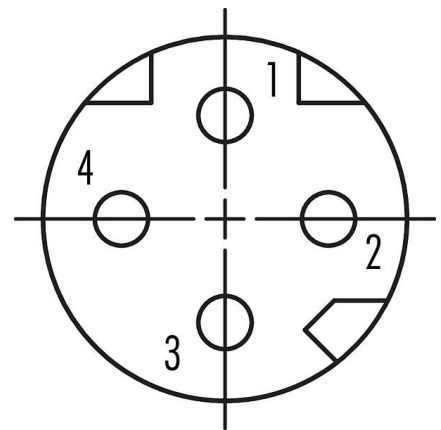
Illustration



Scale drawing



Contact arrangement (Plug-in side)



You can find the component part drawing and assembly instructions on the next page.

Technical data

General features

Part no.	99 3368 100 04
Connector design	Female cable connector
Version	Connector socket straight
Connector locking system	screw
Termination	screw clamp
Degree of protection	IP67
Cross-sectional area	0.14-0.50 mm ²
Cable outlet	4.0-5.5 mm
Temperature range from/to	-25 °C / 85 °C
Mechanical operation	> 100 Mating cycles
Weight (g)	15.0
Customs tariff number	85369010

Electrical parameters

Rated voltage	63 V
Rated impulse voltage	1500 V
Rated current (40 °C)	4.0 A
Insulation resistance	≥ 10 ⁸ Ω
Pollution degree	3
Overvoltage category	II
Insulating material group	II
EMC compliance	shieldable
Shield connection	Iris type spring

Product data sheet

Automation technology - sensors and actuators



Product description	M8-D Female cable connector, Contacts: 4, 4.0-5.5 mm, shieldable, screw clamp, IP67, M8x1.0
Area	M8-D series 818
Part no.	99 3368 100 04

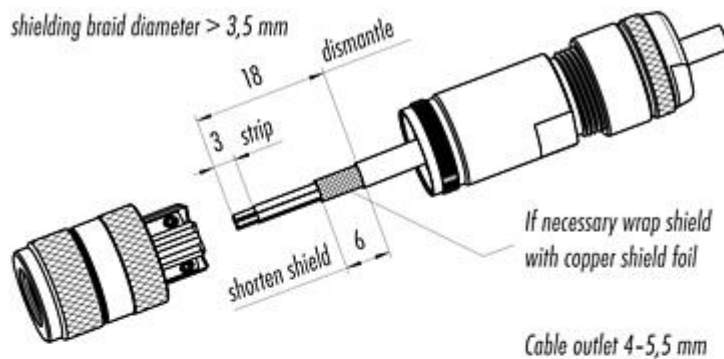
Material

Housing material	PA
Contact body material	PA
Contact material	CuZn (brass)
Contact plating	Au (gold)
Locking material	CuZn (brass)
REACH SVHC	CAS 7439-92-1 (Lead)

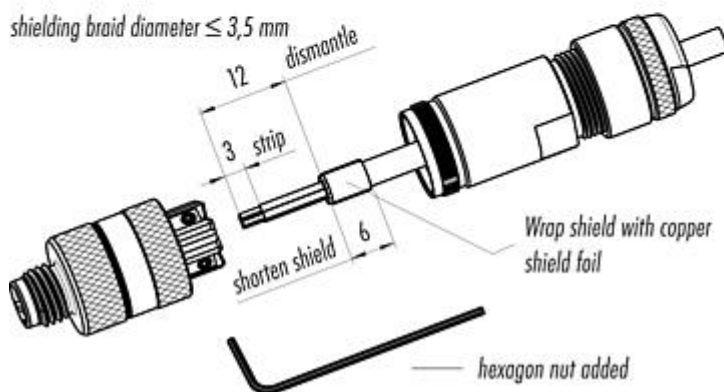
Classifications

eCl@ss 11.1	27-44-01-02
ETIM 7.0	EC002635

Assembly instructions



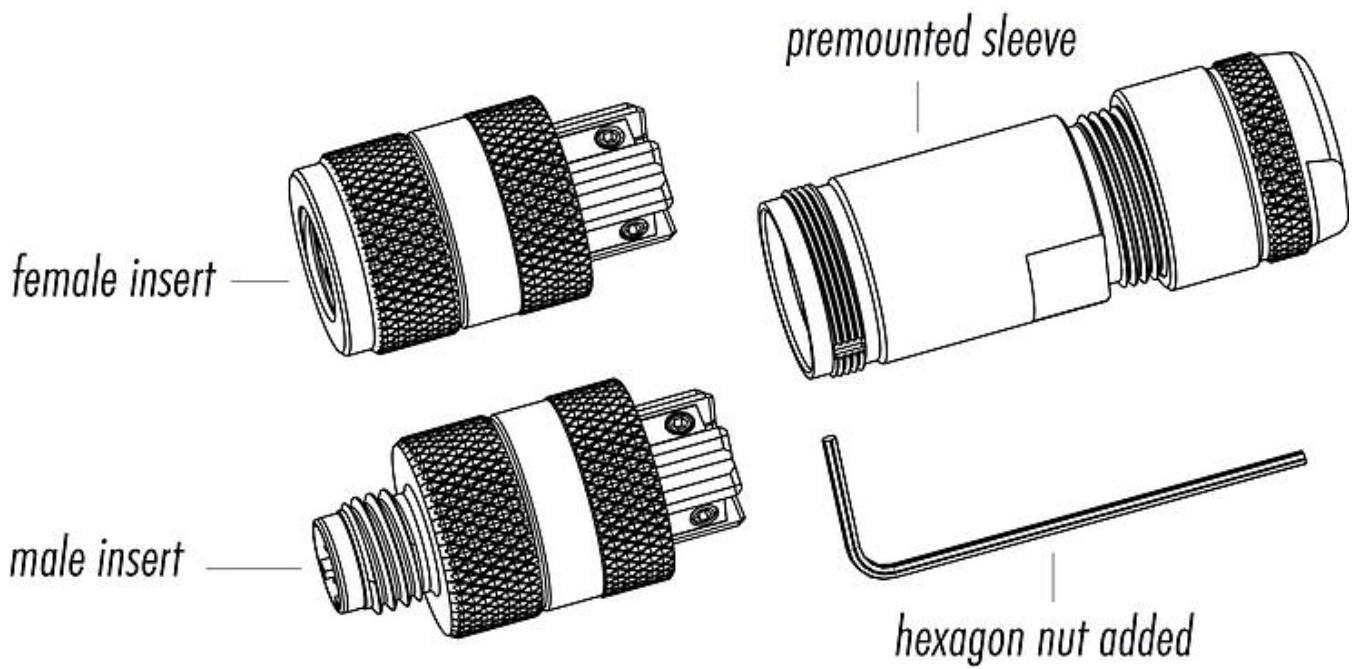
1. Bead housing to cable.
2. Strip cable, shorten shielding braid.
3. Connect single wires.
4. Screw housing to either male or female contact carrier and tighten pressing screw.



1. Bead housing to cable.
2. Strip cable, shorten shielding braid, place it over cable coating, wrap it approx. 1 1/2 times with copper shield foil and shorten foil.
3. Connect single wires.
4. Screw housing to either male or female contact carrier and tighten pressing screw.

Product description	M8-D Female cable connector, Contacts: 4, 4.0-5.5 mm, shieldable, screw clamp, IP67, M8x1.0
Area	M8-D series 818
Part no.	99 3368 100 04

Component part drawing



Product description	M8-D Female cable connector, Contacts: 4, 4.0-5.5 mm, shieldable, screw clamp, IP67, M8x1.0
Area	M8-D series 818
Part no.	99 3368 100 04

Security notices

The connectors have been developed for applications in plant engineering, control and electrical equipment construction. The user is responsible for checking whether the connectors can also be used in other areas of application.

Plug connectors with enclosure protection IP67 and IP68 are not suitable for use under water. When used outdoors, the plug connectors must be protected separately against corrosion. For further information on the IP protection classes, please refer to the "Technical Information" download centre.

To lock the cable connector with the device connector, the threaded ring is tightened "hand-tight" (approx. 40 cNm).