

Product description	M8 female cable connector, Contacts: 4, 3.5 - 5.0 mm, unshielded, screw clamp, IP67, UL listed
Area	M8 series 768
Order number	99 3376 100 04

Illustration	Scale drawing	Contact arrangement (Plug-in side)

You can find the component part drawing and assembly instructions on the next page.

## Technical data

### General features

Order number	99 3376 100 04
Connector design	female cable connector
Version	connector female
Connector locking system	straight
Termination	screw
Degree of protection	screw clamp
Cross-sectional area	IP67
Cable outlet	0.14 - 0.50 mm <sup>2</sup> / AWG
Temperature range from/to	26 - 20
Mechanical operation	3.5 - 5.0 mm
Weight (g)	-40 °C / 85 °C
Customs tariff number	> 100 Mating cycles
	9.141
	85369010

### Electrical parameters

Rated voltage	60 V
Rated impulse voltage	1500 V
Rated current (40 °C)	4 A
Pollution degree	3
Overvoltage category	III
Insulating material group	II
EMC compliance	unshielded

### Material

Housing material	PBT (UL94 V-0)
Contact body material	PA66 (UL94HB)
Contact material	CuSn (bronze)
Contact plating	Au (gold)
Locking material	CuZn (Brass nickel plated)
REACH SVHC	CAS 7439-92-1 (Lead)

### Authorization/approvals

Approvals	UL listed
-----------	-----------

### Classifications

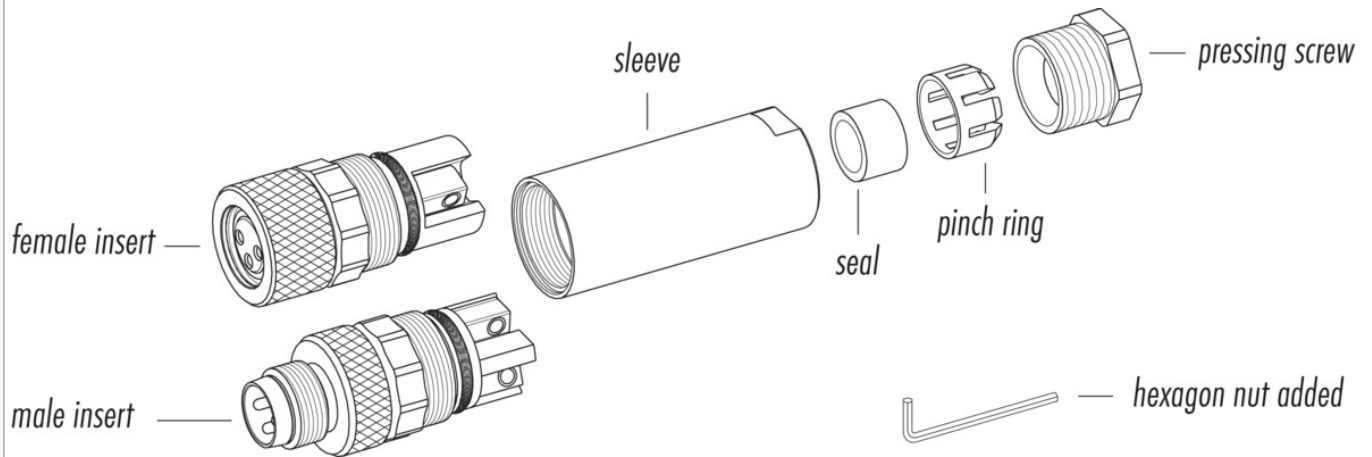
eCl@ss 11.1	27-44-01-02
ETIM 7.0	EC002635

### Declarations of conformity

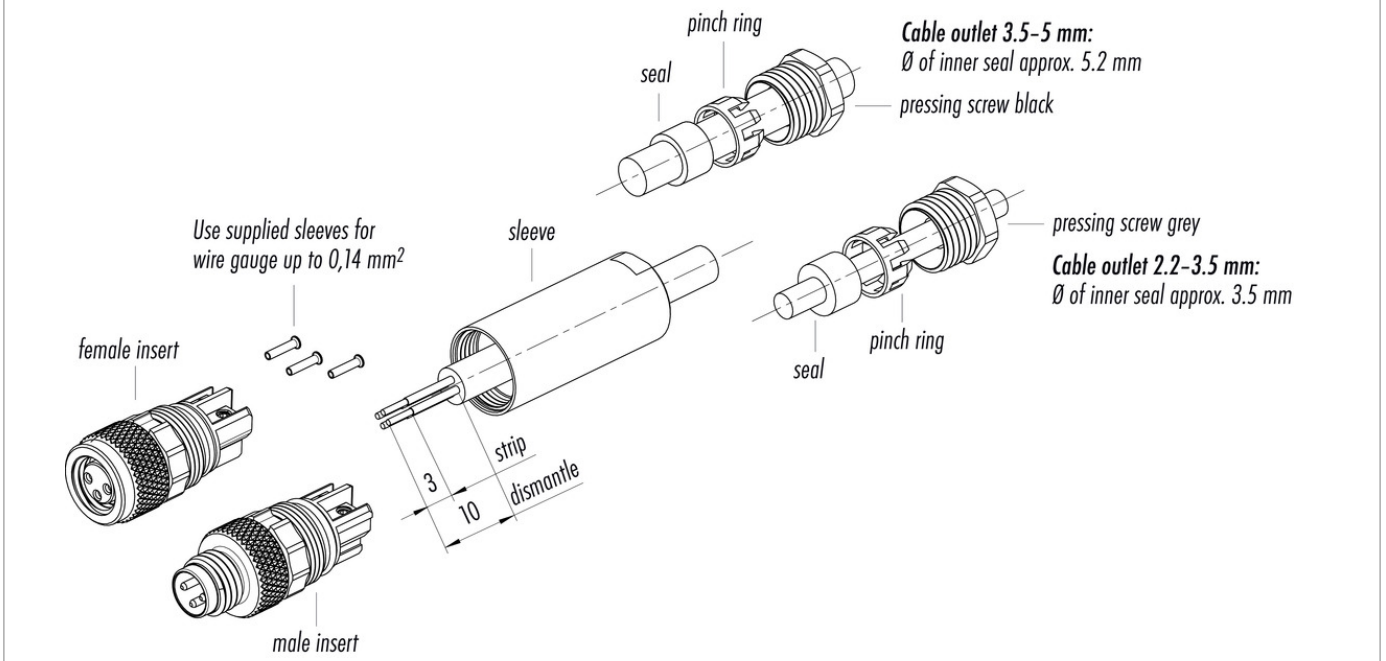
Low Voltage Directive	2014/35/EU (EN 60204-1:2018;EN 60529:1991)
-----------------------	--

Product description	M8 female cable connector, Contacts: 4, 3.5 - 5.0 mm, unshielded, screw clamp, IP67, UL listed
Area	M8 series 768
Order number	99 3376 100 04

Component part drawing



Assembly instructions / Panel cut-out



Product description	<b>M8 female cable connector, Contacts: 4, 3.5 - 5.0 mm, unshielded, screw clamp, IP67, UL listed</b>
Area	<b>M8 series 768</b>
Order number	<b>99 3376 100 04</b>

## Security notices

The connectors have been developed for applications in plant engineering, control and electrical equipment construction. The user is responsible for checking whether the connectors can also be used in other areas of application.

Plug connectors with enclosure protection IP 67 and IP 68 are not suitable for use under water. When used outdoors, the plug connectors must be protected separately against corrosion. For further information on the IP protection classes, please refer to the "Technical Information" download centre. To lock the cable connector with the device connector, the threaded ring is tightened "hand-tight" (approx. 50 cNm).