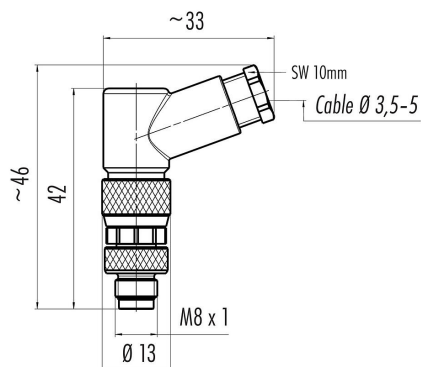


Product description	M8 male angled connector, Contacts: 4, 3.5 - 5.0 mm, unshielded, screw clamp, IP67, UL listed
Area	M8 series 768
Part no.	99 3383 110 04

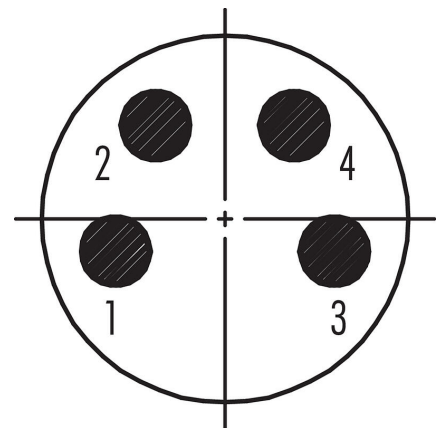
### Illustration



### Scale drawing



### Contact arrangement (Plug-in side)



You can find the component part drawing and assembly instructions on the next page.

## Technical data

### General features

Part no.	<b>99 3383 110 04</b>
Connector design	male angled connector
Version	connector male angled
Connector locking system	screw
Termination	screw clamp
Degree of protection	IP67
Cross-sectional area	0.14 - 0.50 mm <sup>2</sup> / AWG 26 - 20
Cable outlet	3.5 - 5.0 mm
Twistability	180° (2 coding options)
Temperature range from/to	-40 °C / 85 °C
Mechanical operation	> 100 Mating cycles
Weight (g)	11.63
Customs tariff number	85369010

### Electrical parameters

Rated voltage	60 V
Rated impulse voltage	1500 V
Rated current (40 °C)	4 A
Pollution degree	3

# Product data sheet

## Automation technology - sensors and actuators



Product description	M8 male angled connector, Contacts: 4, 3.5 - 5.0 mm, unshielded, screw clamp, IP67, UL listed
Area	M8 series 768
Part no.	99 3383 110 04

Overvoltage category	III
Insulating material group	II
EMC compliance	unshielded

### Material

Housing material	PBT (UL94 V-0)
Contact body material	PA66 (UL94HB)
Contact material	CuZn (brass)
Contact plating	Au (gold)
Locking material	CuZn (Brass nickel plated)
REACH SVHC	CAS 7439-92-1 (Lead)
SCIP number	d58d606c-512c-48c3-b2e0-52c84fc4b5c6

### Authorization/approvals

Approvals	UL listed
-----------	-----------

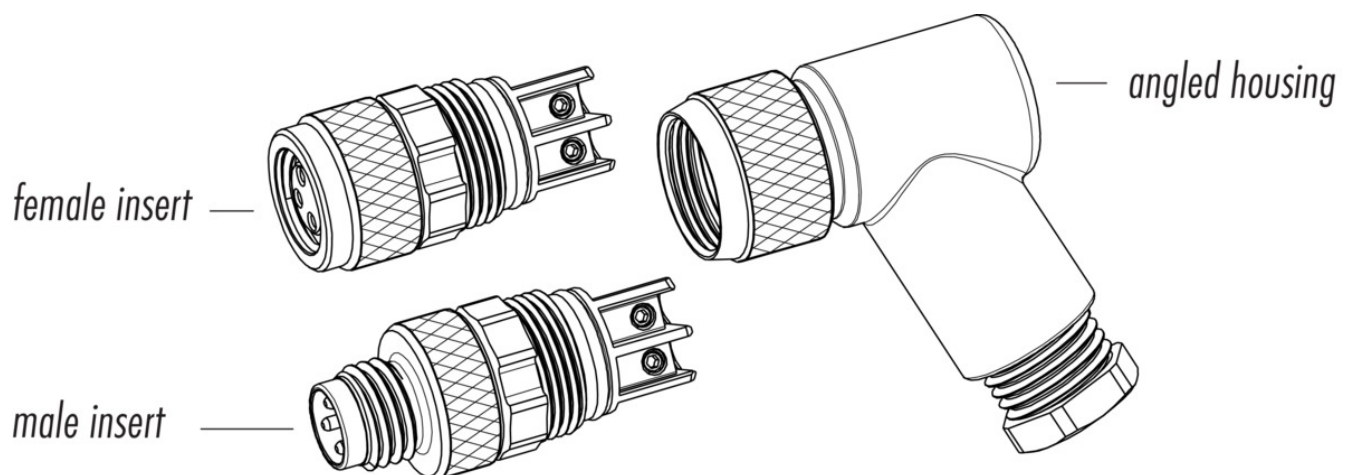
### Classifications

eCl@ss 11.1	27-44-01-02
ETIM 7.0	EC002635

### Declarations of conformity

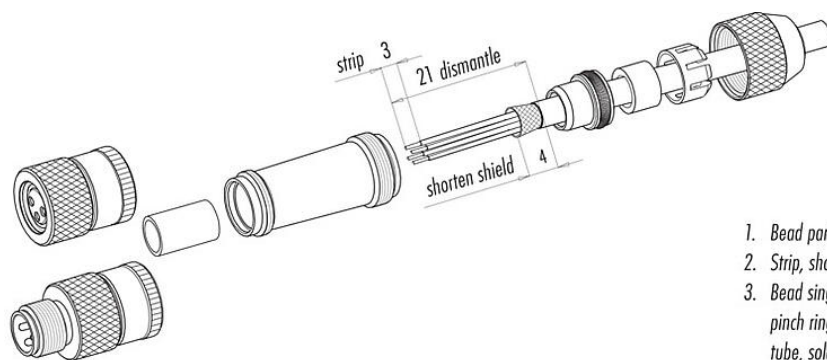
Low Voltage Directive	2014/35/EU (EN 60204-1:2018;EN 60529:1991)
-----------------------	--

### Component part drawing

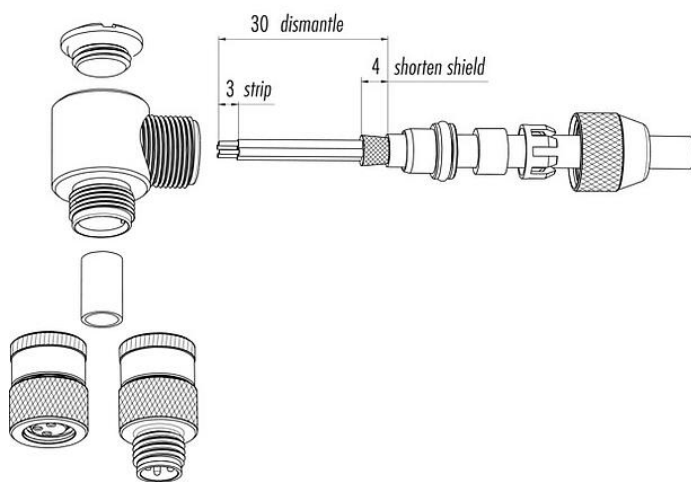


Product description	M8 male angled connector, Contacts: 4, 3.5 - 5.0 mm, unshielded, screw clamp, IP67, UL listed
Area	M8 series 768
Part no.	99 3383 110 04

## Assembly instructions



1. Bead parts on cable.
2. Strip, shorten, widen shield and lay around shielding ring.
3. Bead single wires through housing, mount shielding ring, sealing ring and pinch ring. Slightly tighten pressing screw to fix the cable. Bead insulating tube, solder single wires and mount insulating tube.
4. Screw male or female contact carrier to housing and tighten pressing screw.
5. Angled version: tighten locking screw.



Product description	<b>M8 male angled connector, Contacts: 4, 3.5 - 5.0 mm, unshielded, screw clamp, IP67, UL listed</b>
Area	<b>M8 series 768</b>
Part no.	<b>99 3383 110 04</b>

## Security notices

The connectors have been developed for applications in plant engineering, control and electrical equipment construction. The user is responsible for checking whether the connectors can also be used in other areas of application.

Plug connectors with enclosure protection IP 67 and IP 68 are not suitable for use under water. When used outdoors, the plug connectors must be protected separately against corrosion. For further information on the IP protection classes, please refer to the "Technical Information" download centre.

To lock the cable connector with the device connector, the threaded ring is tightened "hand-tight" (approx. 50 cNm).