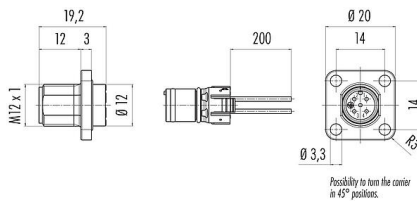


Product description	M12-A Square male panel mount connector, Contacts: 8, unshielded, single wires, IP69, IP68, IP67, UL, Square housing 20 mm, positionable, lockable 45°
Area Part no.	M12-A series 763 99 3483 100 08

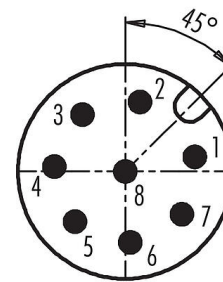
Illustration



Scale drawing



Contact arrangement (Plug-in side)



- 1 white
- 2 brown
- 3 green
- 4 yellow
- 5 grey
- 6 pink
- 7 blue
- 8 red

You can find the assembly instructions on the next page.

Technical data

General features

Part no.	99 3483 100 08
Connector design	Square male panel mount connector
Wire length	0.2 m
Version	Connector pin straight
Connector locking system	screw
Termination	single wires
Degree of protection	IP69, IP68, IP67
Cross-sectional area	0.25 mm ² / AWG 24
Temperature range from/to	-40 °C / 85 °C
Mechanical operation	> 100 Mating cycles
Additional information	Square housing 20 mm positionable, lockable 45°
Weight (g)	15.58
Customs tariff number	85369010

Electrical parameters

Rated voltage	30 V
Rated impulse voltage	800 V
Rated current (40 °C)	2.0 A
Insulation resistance	> 10 ⁸ Ω
Pollution degree	3
Insulating material group	II
EMC compliance	unshielded

Product description	M12-A Square male panel mount connector, Contacts: 8, unshielded, single wires, IP69, IP68, IP67, UL, Square housing 20 mm, positionable, lockable 45°
Area Part no.	M12-A series 763 99 3483 100 08

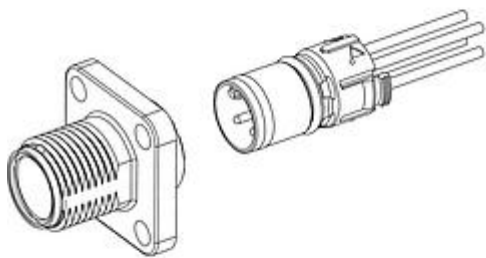
Material

Housing material	Brass nickel-plated / Zinc die-cast nickel-plated
Contact body material	PA
Contact material	CuZn (brass)
Contact plating	Au (gold)
REACH SVHC	CAS 7439-92-1 (Lead)
SCIP number	819c15bf-444b-41b9-aff9-d019b4295bd4

Authorization/approvals

Approvals	UL
-----------	----

Assembly instructions



Assembly:

1. Insert the insert into the housing in the desired mounting position until it locks securely into place.

Disassembly:

1. Press the locking lever.
2. Simultaneously, without damaging the contacts, push out the contact body from plug-in side with a suitable object.

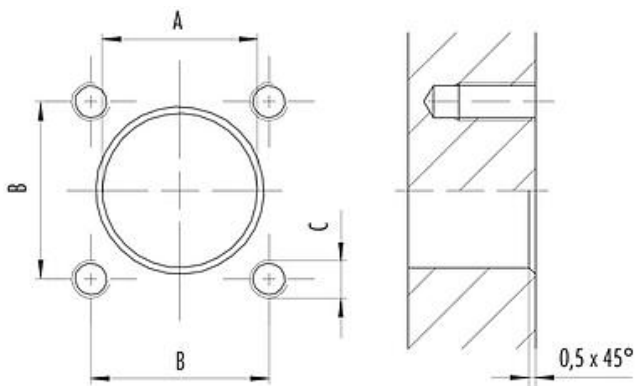
Note:

Please do not pull on single wires during disassembly!

Product description **M12-A Square male panel mount connector, Contacts: 8, unshielded, single wires, IP69, IP68, IP67, UL, Square housing 20 mm, positionable, lockable 45°**

Area **M12-A series 763**
Part no. **99 3483 100 08**

Assembly instructions / Panel cut-out



Gehäuse/housing	A (mm)	B (mm)	C (mm)
Metall/metal	12,2	14,0	M3 (4x)
Kunststoff/plastic	20,0	20,0	M3 (4x)

Voraussetzungen für Schutzart IP67:

1. Metallgehäuse: Verwendung von Dichtung, Best.-Nr. 16 0959 000
2. Kunststoffgehäuse: Verwendung von Dichtung, Best.-Nr. 16 8091 000
3. Gewinde M3 (4x) als Gewindefacklöcher oder Schraubenköpfe abgedichtet

Requirements for Degree of protection IP67:

1. Metal housing: Use of sealing, Ordering-No. 16 0959 000
2. Plastic housing: Use of sealing, Ordering-No. 16 8091 000
3. M3 thread (4x) sealed as a threaded blind holes or screw heads

Product description	M12-A Square male panel mount connector, Contacts: 8, unshielded, single wires, IP69, IP68, IP67, UL, Square housing 20 mm, positionable, lockable 45°
Area Part no.	M12-A series 763 99 3483 100 08

Security notices

The connector must not be plugged or unplugged under load. Non-observance and improper use can result in personal injury.

The connectors have been developed for applications in plant engineering, control and electrical equipment construction. The user is responsible for checking whether the connectors can also be used in other areas of application.

The protection class specification applies on condition that the four mounting holes are made as blind holes.

The user must take suitable safety precautions to ensure that the connector cannot be accidentally disconnected.