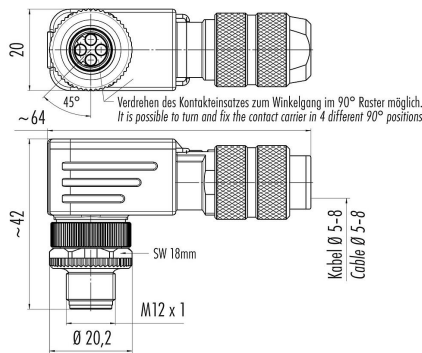


Product description	M12-D Male angled connector, Contacts: 4, 5.0 - 8.0 mm, shieldable, crimping (Crimp contacts must be ordered separately), IP67, UL
Area	M12-D series 825
Part no.	99 3721 820 04

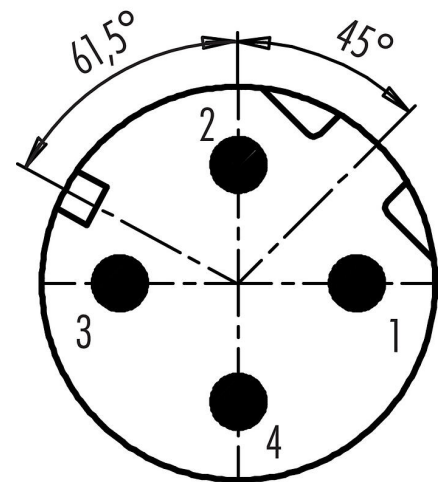
Illustration



Scale drawing



Contact arrangement (Plug-in side)



You can find the component part drawing and assembly instructions on the next page.

Technical data

General features

Part no.	99 3721 820 04
Connector design	Male angled connector
Version	connector male angled
Connector locking system	screw
Termination	crimping (Crimp contacts must be ordered separately)
Degree of protection	IP67
Cross-sectional area	see crimp contacts under accessories
Cable outlet	5.0 - 8.0 mm
Twistability	90° (4 coding options)
Temperature range from/to	-40 °C / 85 °C
Mechanical operation	> 100 Mating cycles
Weight (g)	60.61
Customs tariff number	85369010

Electrical parameters

Rated voltage	250 V
Rated impulse voltage	2500 V
Rated current (40 °C)	4 A

Product description	M12-D Male angled connector, Contacts: 4, 5.0 - 8.0 mm, shieldable, crimping (Crimp contacts must be ordered separately), IP67, UL
Area	M12-D series 825
Part no.	99 3721 820 04

Insulation resistance	$\geq 10^{10} \Omega$
Pollution degree	3
Transmission rate	CAT 5
Overvoltage category	II
Insulating material group	III
EMC compliance	shieldable
Shield connection	Iris spring

Material

Housing material	Zinc die-cast nickel-plated
Contact body material	PA
Contact material	CuZn (brass)
Contact plating	Au (gold)
Locking material	Zinc die-cast nickel-plated
REACH SVHC	CAS 7439-92-1 (Lead)
SCIP number	bf4c57b6-2548-4cf7-821a-77ce888bcdfb

Authorization/approvals

Approvals	UL
-----------	----

Classifications

eCl@ss 11.1	27-44-01-02
ETIM 7.0	EC002635

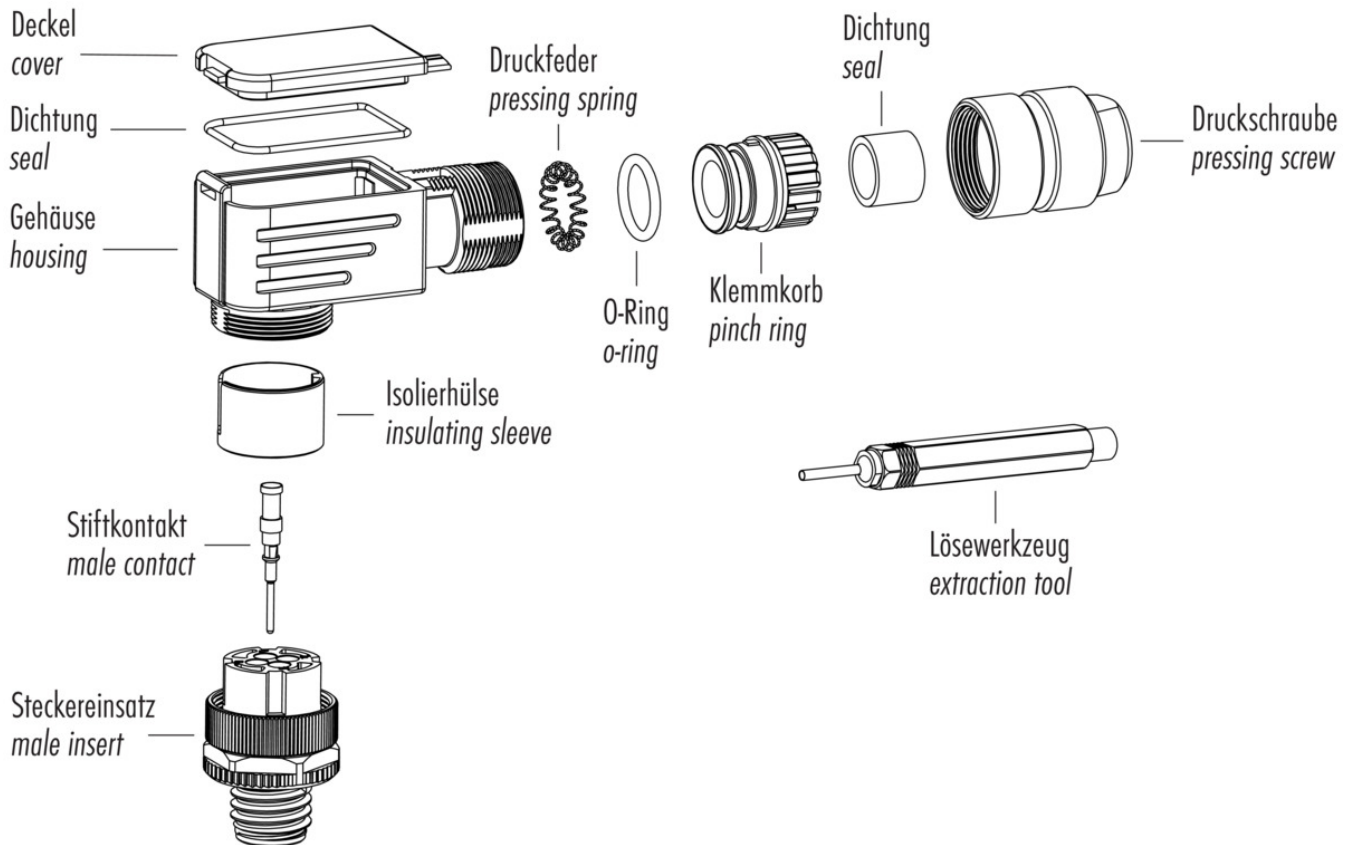
Declarations of conformity

Low Voltage Directive	2014/35/EU (EN 60204-1:2018;EN 60529:1991)
-----------------------	--

Product description **M12-D Male angled connector, Contacts: 4, 5.0 - 8.0 mm, shieldable, crimping (Crimp contacts must be ordered separately), IP67, UL**

Area **M12-D series 825**
Part no. **99 3721 820 04**

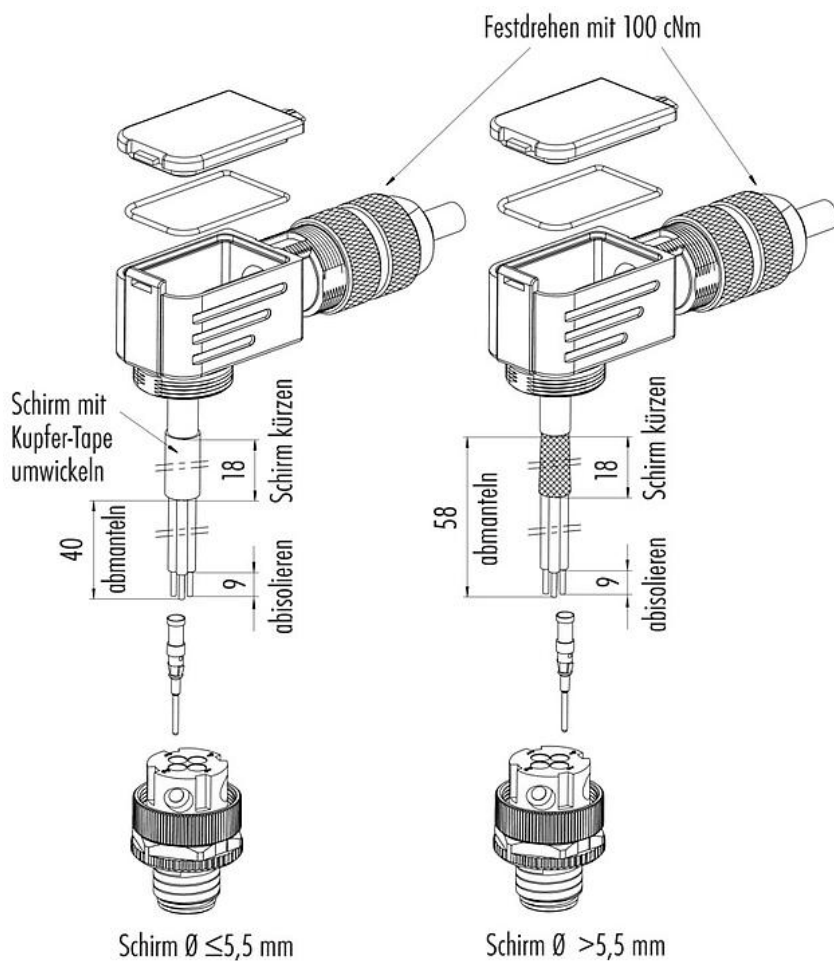
Component part drawing



Product description M12-D Male angled connector, Contacts: 4, 5.0 - 8.0 mm, shieldable, crimping (Crimp contacts must be ordered separately), IP67, UL

Area M12-D series 825
Part no. 99 3721 820 04

Assembly instructions



Schirmdurchmesser $\leq 5,5\text{ mm}$

1. Gehäuse auf Kabel auffädeln.
2. Abmanteln, abisolieren, Schirm kürzen, Schirm auf Kabelmantel umschlagen und mit Kupfer-Tape umwickeln.
3. Litzen anschließen (crimpen).
4. 4 Kontakte bestücken.
5. Gehäuse mit Stecker- bzw. Buchseneinsatz verschrauben.
6. Kabel durch den Kabelabgang so weit zurückziehen, bis noch 2 mm vom Schirm sichtbar ist.
7. Deckel mit Dichtung einsetzen und Druckschraube festdrehen.

Schirmdurchmesser $> 5,5\text{ mm}$

1. Gehäuse auf Kabel auffädeln.
2. Abmanteln, abisolieren, Schirm kürzen.
3. Litzen anschließen (crimpen).
4. 4 Kontakte bestücken.
5. Gehäuse mit Stecker- bzw. Buchseneinsatz verschrauben.
6. Kabel durch den Kabelabgang so weit zurückziehen, bis noch 2 mm vom Schirm sichtbar ist.
7. Deckel mit Dichtung einsetzen und Druckschraube festdrehen.

Product description	M12-D Male angled connector, Contacts: 4, 5.0 - 8.0 mm, shieldable, crimping (Crimp contacts must be ordered separately), IP67, UL
Area	M12-D series 825
Part no.	99 3721 820 04

Security notices

The connector must not be plugged or unplugged under load. Non-observance and improper use can result in personal injury.

The connectors have been developed for applications in plant engineering, control and electrical equipment construction. The user is responsible for checking whether the connectors can also be used in other areas of application.

To protect against unintentional opening of the connector, the thread between the housing and the connector head must be secured with a suitable cyanoacrylate adhesive when used in circuits with voltages dangerous to the touch. This does not apply to connectors used in SELV and PELV circuits according to IEC 61140 (EN 61140, VDE 0140-1).

Connectors which are used in circuits with voltages dangerous to the touch may only be installed and used by, or under the supervision of, persons with electrical engineering training, taking into account the applicable regulations and standards.

Plug connectors with enclosure protection IP 67 and IP 68 are not suitable for use under water. When used outdoors, the plug connectors must be protected separately against corrosion. For further information on the IP protection classes, please refer to the "Technical Information" download centre.

To lock the cable connector with the device connector, the threaded ring is tightened "hand-tight" (approx. 60 cNm).