

Product data sheet

Automation technology - data transmission

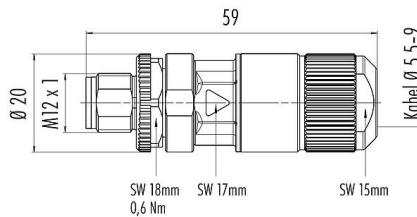


Product description	M12-X Male cable connector, Contacts: 8, 5.5-9.0 mm, shieldable, cutting clamp, IP67
Area	M12-X series 825
Part no.	99 3787 810 08

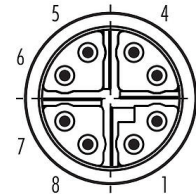
Illustration



Scale drawing



Contact arrangement (Plug-in side)



- 1 white-orange
- 2 orange
- 3 white-green
- 4 green
- 5 white-brown
- 6 brown
- 7 white-blue
- 8 blue

shield on housing

You can find the component part drawing and assembly instructions on the next page.

Technical data

General features

Part no.	99 3787 810 08
Connector design	Male cable connector
Version	Connector pin straight
Connector locking system	screw
Termination	cutting clamp
Degree of protection	IP67
Cross-sectional area	AWG 27-22
Cable outlet	5.5-9.0 mm
Temperature range from/to	-40 °C / 85 °C
Mechanical operation	> 100 Mating cycles
Weight (g)	76.10
Customs tariff number	85366990

Electrical parameters

Rated voltage	50 V (AC) / 60 V (DC)
Rated impulse voltage	800 V
Rated current (40 °C)	0.5 A
Pollution degree	3
Transmission rate	CAT 6A
Overvoltage category	II
Insulating material group	II
EMC compliance	shieldable
Shield connection	Shield clamping

Product data sheet

Automation technology - data transmission



Product description	M12-X Male cable connector, Contacts: 8, 5.5-9.0 mm, shieldable, cutting clamp, IP67
Area	M12-X series 825
Part no.	99 3787 810 08

Material

Housing material	Zinc die-cast nickel-plated
Contact body material	PA
Contact material	CuSn (bronze)
Contact plating	Au (gold)
Locking material	Zinc die-cast nickel-plated
REACH SVHC	CAS 7439-92-1 (Lead)
SCIP number	86a6107d-5128-4071-bef2-5afd659c3b4f

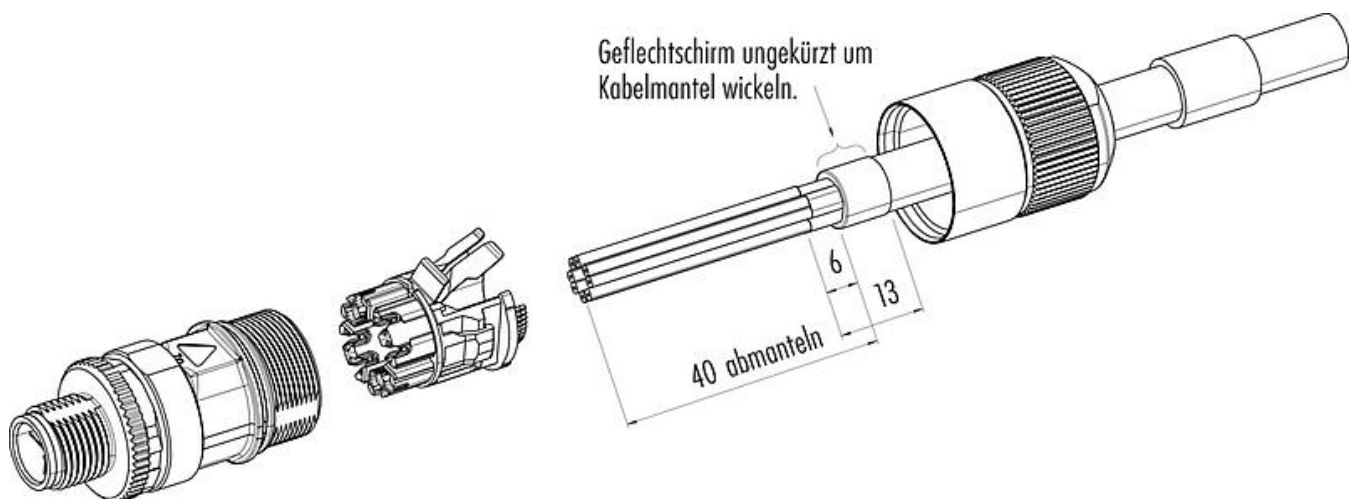
Classifications

eCl@ss 11.1	27-44-01-02
ETIM 7.0	EC002635

Declarations of conformity

Low Voltage Directive	2014/35/EU (EN 60204-1:2018;EN 60529:1991)
-----------------------	--------------------------------------------

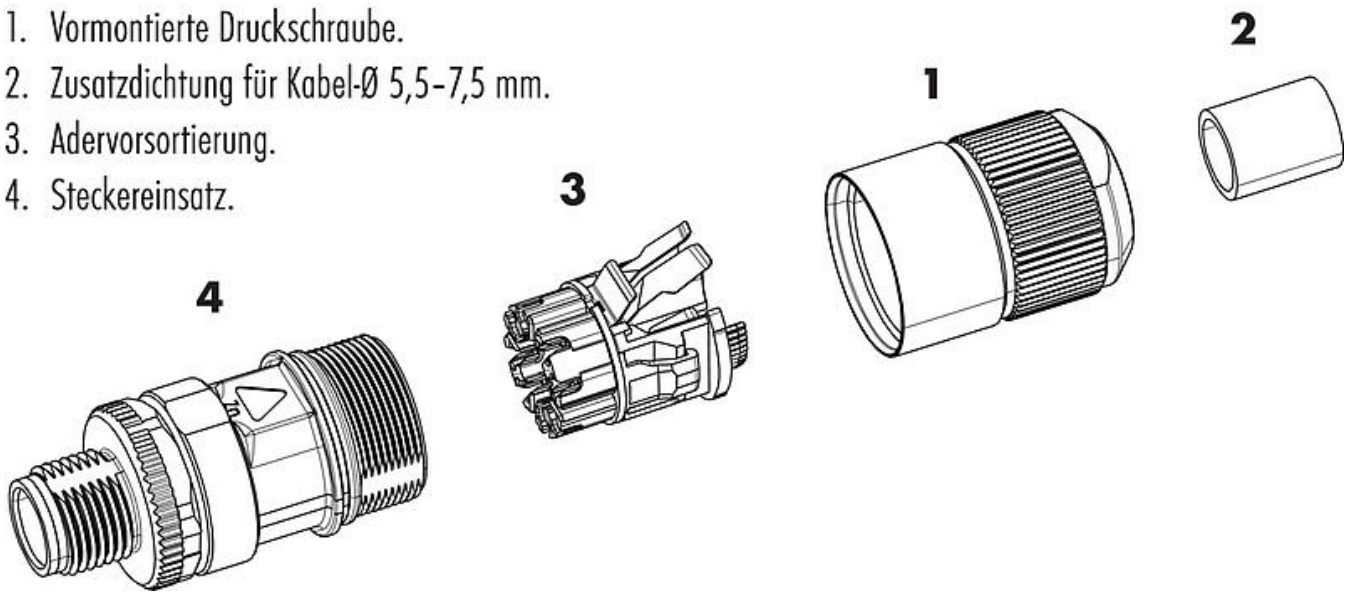
Assembly instructions



Product description	M12-X Male cable connector, Contacts: 8, 5.5-9.0 mm, shieldable, cutting clamp, IP67
Area	M12-X series 825
Part no.	99 3787 810 08

Component part drawing

1. Vormontierte Druckschraube.
2. Zusatzdichtung für Kabel-Ø 5,5-7,5 mm.
3. Adervorsortierung.
4. Steckereinsatz.



Product description	M12-X Male cable connector, Contacts: 8, 5.5-9.0 mm, shieldable, cutting clamp, IP67
Area	M12-X series 825
Part no.	99 3787 810 08

Security notices

The connectors have been developed for applications in plant engineering, control and electrical equipment construction. The user is responsible for checking whether the connectors can also be used in other areas of application.

Connectors which are used in circuits with voltages dangerous to the touch may only be installed and used by, or under the supervision of, persons with electrical engineering training, taking into account the applicable regulations and standards.

Plug connectors with enclosure protection IP67 and IP68 are not suitable for use under water. When used outdoors, the plug connectors must be protected separately against corrosion. For further information on the IP protection classes, please refer to the "Technical Information" download centre.

To lock the cable connector with the device connector, the threaded ring is tightened "hand-tight" (approx. 60 cNm).