

Product data sheet

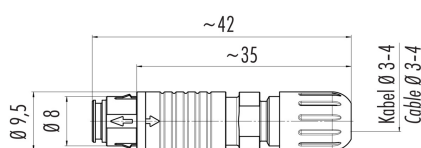
Subminiature connectors

Product description	Micro Push-Pull male cable connector, Contacts: 3, 3.0 - 4.0 mm, unshielded, solder, IP67
Area	Micro Push-Pull series 420
Part no.	99 4705 00 03

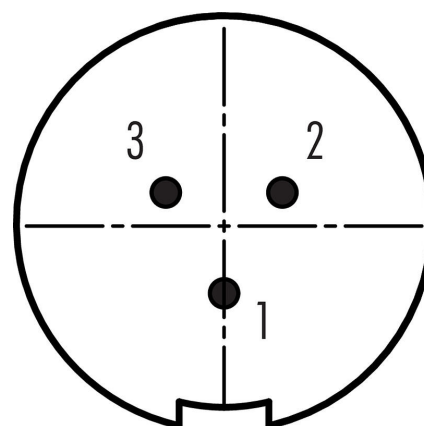
Illustration



Scale drawing



Contact arrangement (Plug-in side)



You can find the component part drawing and assembly instructions on the next page.

Technical data

General features

Part no.	99 4705 00 03
Connector design	male cable connector
Version	connector male straight
Connector locking system	Micro Push-Pull
Termination	solder
Degree of protection	IP67
Cross-sectional area	max. 0.14 mm ² / max. AWG 26
Cable outlet	3.0 - 4.0 mm
Temperature range from/to	-40 °C / 80 °C
Mechanical operation	> 1000 Mating cycles
Weight (g)	2.66
Customs tariff number	85369010

Electrical parameters

Rated voltage	125 V
Rated impulse voltage	1500 V
Rated current (40 °C)	1 A
Pollution degree	2
Overvoltage category	II
Insulating material group	II
EMC compliance	unshielded

Product data sheet

Subminiature connectors

Product description	Micro Push-Pull male cable connector, Contacts: 3, 3.0 - 4.0 mm, unshielded, solder, IP67
Area	Micro Push-Pull series 420
Part no.	99 4705 00 03

Material

Housing material	PA
Contact body material	PA
Contact material	CuZn (brass)
Contact plating	Au (gold)
REACH SVHC	CAS 7439-92-1 (Lead)
SCIP number	e482deed-1110-4fd0-8cb9-4385a504156a

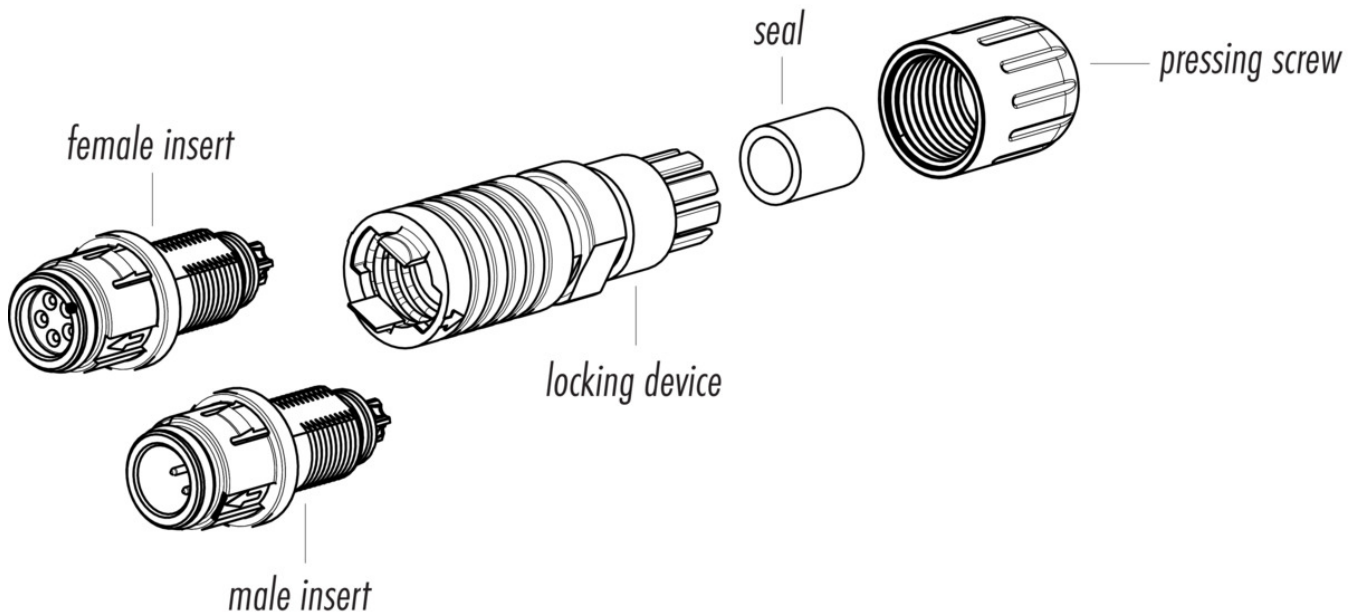
Classifications

eCl@ss 11.1	27-44-01-02
ETIM 7.0	EC002635

Declarations of conformity

Low Voltage Directive	2014/35/EU (EN 60204-1:2018;EN 60529:1991)
-----------------------	--

Component part drawing



Product data sheet

Subminiature connectors

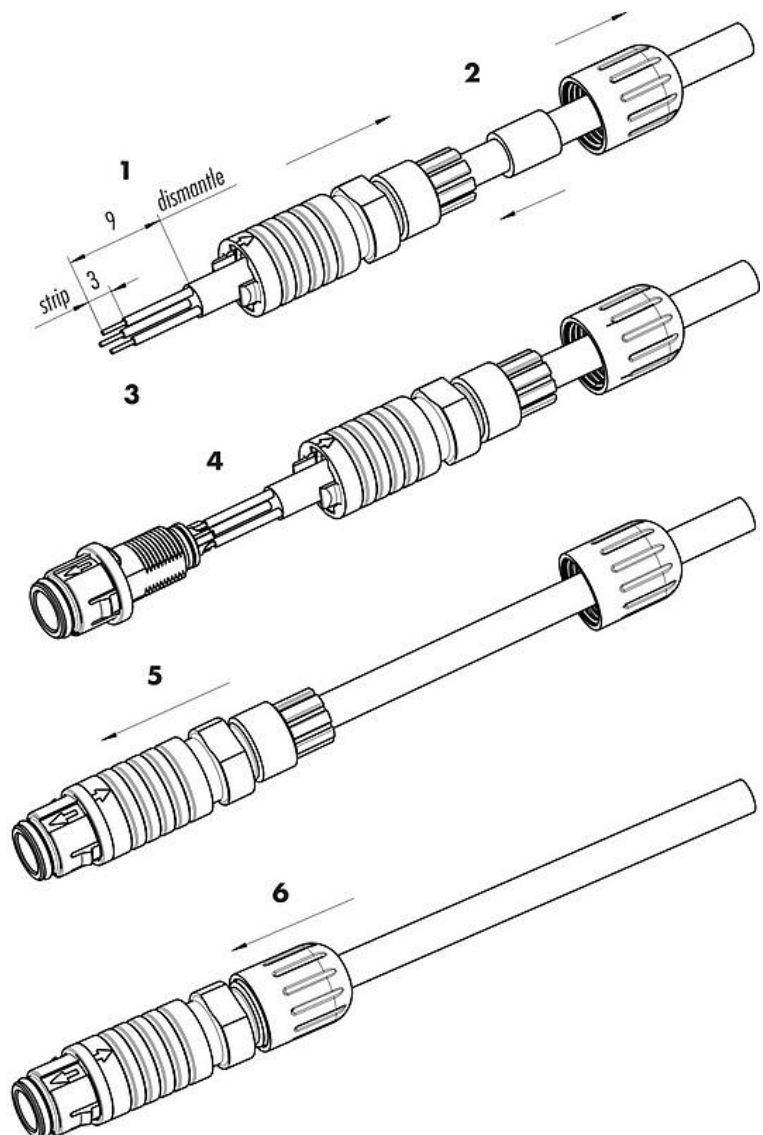


Product description	Micro Push-Pull male cable connector, Contacts: 3, 3.0 - 4.0 mm, unshielded, solder, IP67
Area	Micro Push-Pull series 420
Part no.	99 4705 00 03

Assembly instructions

1. Strip to 9mm length and remove cable jacket.
2. Mount sealing ring to clamp device to cable. Bead pressing screw and clamp device.
3. Strip the insulation off the wires ($l = 3\text{mm}$) and tin them.
4. Solder wires to solder cups.
5. Align locking unit, bear in mind direction of arrow, push forward and screw tightly.
6. Push pressing screw forward and secure them at flats.

(Before unmounting first open pressing screw.)



Product description	Micro Push-Pull male cable connector, Contacts: 3, 3.0 - 4.0 mm, unshielded, solder, IP67
Area Part no.	Micro Push-Pull series 420 99 4705 00 03

Security notices

The connector must not be plugged or unplugged under load. Non-observance and improper use can result in personal injury.

The connectors have been developed for applications in plant engineering, control and electrical equipment construction. The user is responsible for checking whether the connectors can also be used in other areas of application.

Connectors which are used in circuits with voltages dangerous to the touch may only be installed and used by, or under the supervision of, persons with electrical engineering training, taking into account the applicable regulations and standards.

Plug connectors with enclosure protection IP 67 and IP 68 are not suitable for use under water. When used outdoors, the plug connectors must be protected separately against corrosion. For further information on the IP protection classes, please refer to the "Technical Information" download centre.