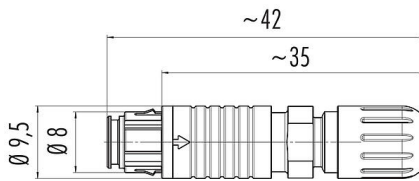


Product description	Micro Push-Pull IP67 Female cable connector, Contacts: 3, 3.0-4.0 mm, unshielded, solder, IP67
Area	Micro Push-Pull IP67 series 420
Part no.	99 4706 00 03

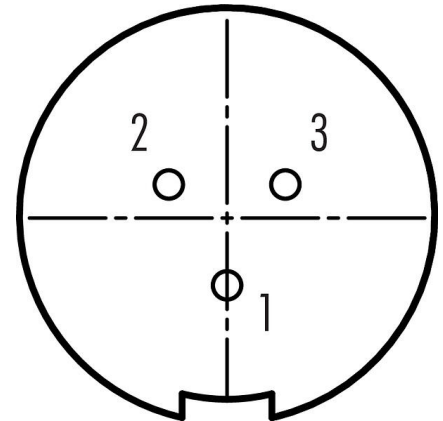
Illustration



Scale drawing



Contact arrangement (Plug-in side)



You can find the assembly instructions on the next page.

Technical data

General features

Part no.	99 4706 00 03
Connector design	Female cable connector
Version	Connector socket straight
Connector locking system	Micro Push-Pull
Termination	solder
Degree of protection	IP67
Cross-sectional area	max. 0.14 mm ² / AWG 26
Cable outlet	3.0-4.0 mm
Temperature range from/to	-40 °C / 80 °C
Mechanical operation	> 1000 Mating cycles
Weight (g)	2.82
Customs tariff number	85369010

Electrical parameters

Rated voltage	125 V
Rated impulse voltage	1500 V
Rated current (40 °C)	1.0 A
Pollution degree	2
Overvoltage category	II
Insulating material group	II
EMC compliance	unshielded

Material

Housing material	PA
------------------	----

Product data sheet

Subminiature connectors



Product description	Micro Push-Pull IP67 Female cable connector, Contacts: 3, 3.0-4.0 mm, unshielded, solder, IP67
Area	Micro Push-Pull IP67 series 420
Part no.	99 4706 00 03

Contact body material	PA
Contact material	CuSn (bronze)
Contact plating	Au (gold)
REACH SVHC	CAS 7439-92-1 (Lead)
SCIP number	65e120c7-9a50-4d8b-ba97-cd5ef464fb5c

Classifications

eCl@ss 11.1	27-44-01-02
ETIM 7.0	EC002635

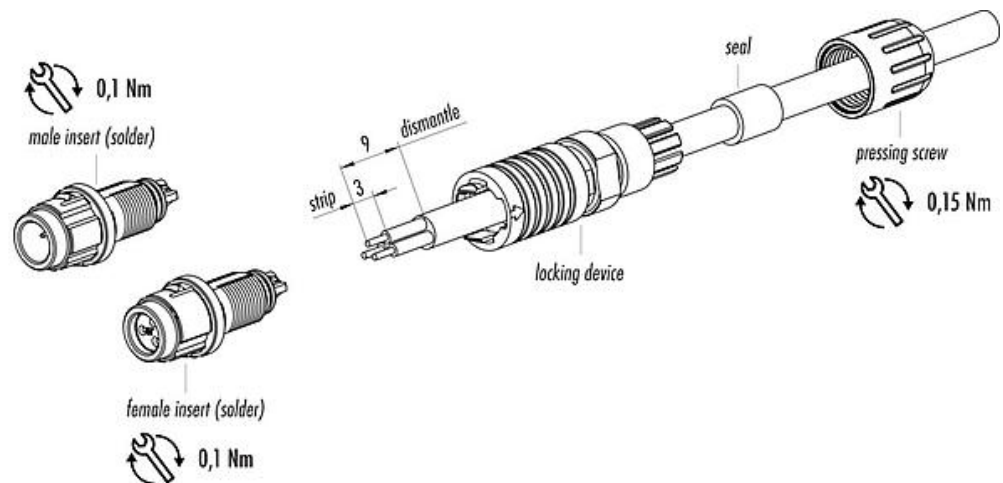
Declarations of conformity

Low Voltage Directive	2014/35/EU (EN 60204-1:2018;EN 60529:1991)
-----------------------	--

Assembly instructions

1. Bead pressing screw, seal and locking device to cable.
2. Dismantle cable to 9 mm length and remove cable jacket.
3. Strip and solder single wires.
4. Mount contact insert into locking device (snap).
5. Mount seal in locking device.
6. Tighten pressing screw.

Attention: Before unmounting, first open pressing screw.



Product description	Micro Push-Pull IP67 Female cable connector, Contacts: 3, 3.0-4.0 mm, unshielded, solder, IP67
Area	Micro Push-Pull IP67 series 420
Part no.	99 4706 00 03

Security notices

The connector must not be plugged or unplugged under load. Non-observance and improper use can result in personal injury.

The connectors have been developed for applications in plant engineering, control and electrical equipment construction. The user is responsible for checking whether the connectors can also be used in other areas of application.

Connectors which are used in circuits with voltages dangerous to the touch may only be installed and used by, or under the supervision of, persons with electrical engineering training, taking into account the applicable regulations and standards.

Plug connectors with enclosure protection IP67 and IP68 are not suitable for use under water. When used outdoors, the plug connectors must be protected separately against corrosion. For further information on the IP protection classes, please refer to the "Technical Information" download centre.