

Product data sheet

Subminiature connectors

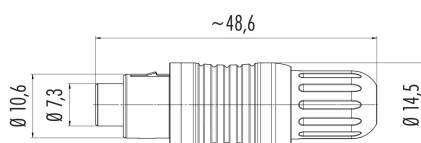


Product description	Push-Pull male cable connector, Contacts: 4, 3.5 - 5.0 mm, shieldable, solder, IP67
Area	Push-Pull series 430
Part no.	99 4909 00 04

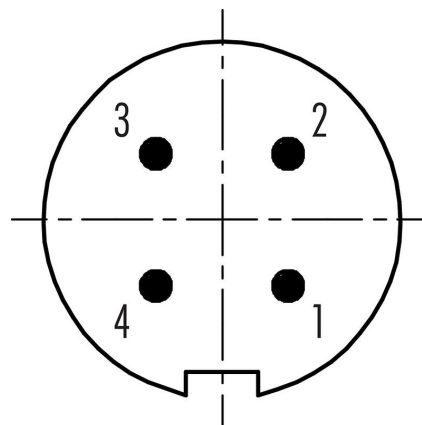
Illustration



Scale drawing



Contact arrangement (Plug-in side)



You can find the component part drawing and assembly instructions on the next page.

Technical data

General features

Part no.	99 4909 00 04
Connector design	male cable connector
Version	connector male straight
Connector locking system	Push-Pull
Termination	solder
Degree of protection	IP67
Cross-sectional area	max. 0.25 mm ² / max. AWG 24
Cable outlet	3.5 - 5.0 mm
Temperature range from/to	-40 °C / 85 °C
Mechanical operation	> 500 Mating cycles
Weight (g)	8.76
Customs tariff number	85369010

Electrical parameters

Rated voltage	125 V
Rated impulse voltage	1500 V
Rated current (40 °C)	3 A
Pollution degree	2
Overvoltage category	I
Insulating material group	II
EMC compliance	shieldable

Product data sheet

Subminiature connectors

Product description	Push-Pull male cable connector, Contacts: 4, 3.5 - 5.0 mm, shieldable, solder, IP67
Area	Push-Pull series 430
Part no.	99 4909 00 04

Shield connection

Shield Clamping

Material

Housing material	PA
Contact body material	PUR/PA
Contact material	CuZn (brass)
Contact plating	Au (gold)
Locking material	CuZn (Brass nickel plated)
REACH SVHC	CAS 7439-92-1 (Lead)
SCIP number	SCIP-number not available

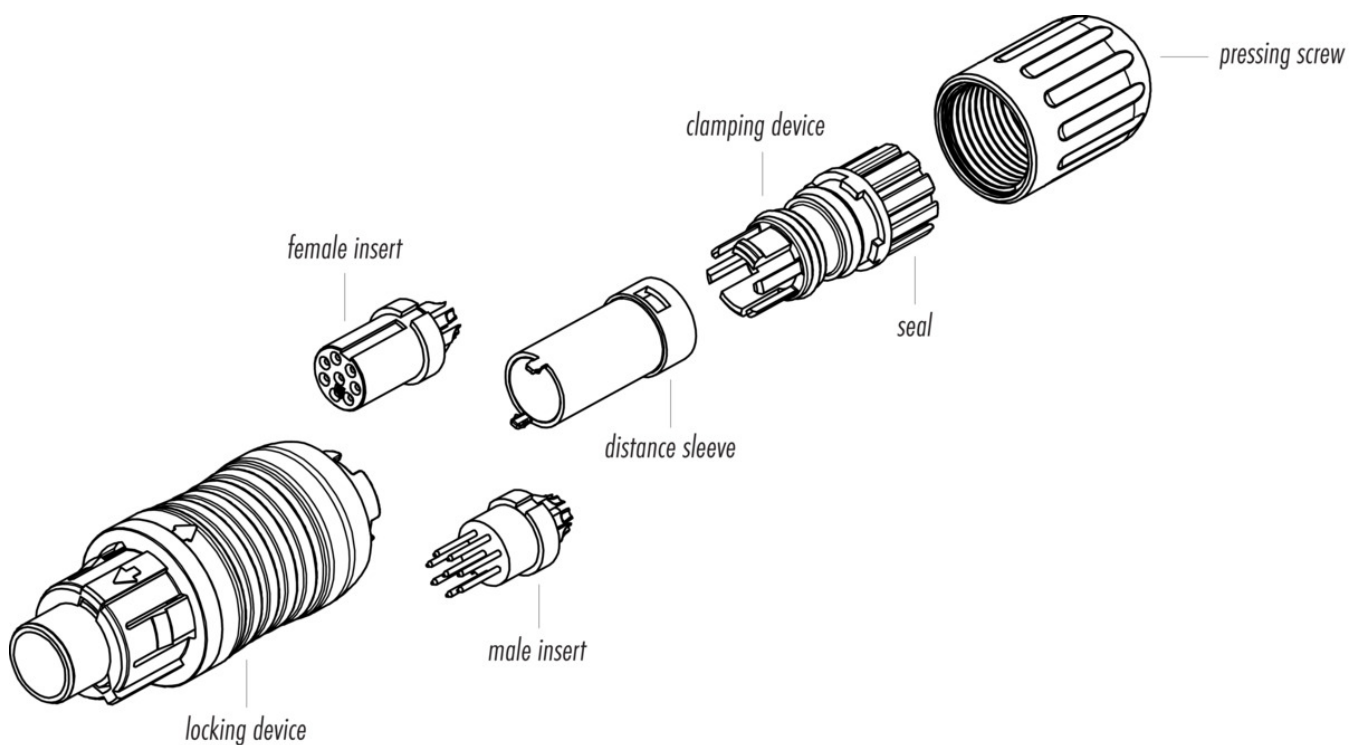
Classifications

eCl@ss 11.1	27-44-01-02
ETIM 7.0	EC002635

Declarations of conformity

Low Voltage Directive	2014/35/EU (EN 60204-1:2018;EN 60529:1991)
-----------------------	--

Component part drawing



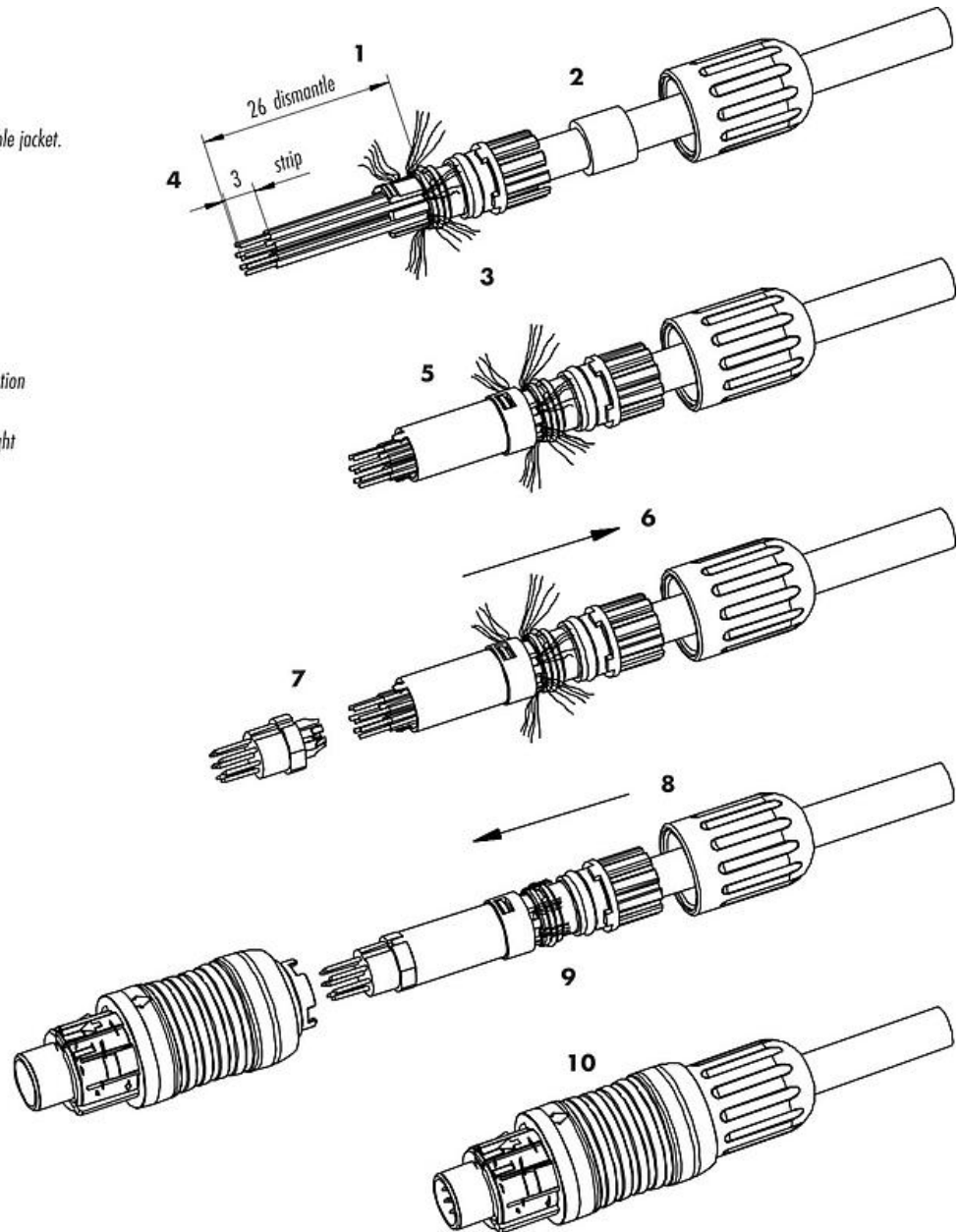
Product data sheet

Subminiature connectors

Product description	Push-Pull male cable connector, Contacts: 4, 3.5 - 5.0 mm, shieldable, solder, IP67
Area	Push-Pull series 430
Part no.	99 4909 00 04

Assembly instructions

1. Strip to 26mm length but do not take off cable jacket.
2. Bead pressing screw and clamp device to cable.
Mount sealing ring to clamp device. Remove cable jacket.
3. Fan out and comb shielding braid.
4. Strip the insulation off the wires and tin them.
5. Snap in distance sleeve and clamp device.
6. Solder wires to solder cups.
7. Stick distance sleeve to sleeve.
8. Push forward and snap in clamp device.
Mount shielding braid around the crown.
9. Strip off and shorten shielding braid in the direction of the shielding ring.
too long: shielding braid on sealing ring - untight
too short: no contact to wave washer
10. Stick assembled unit into carrier sleeve and tighten pressing screw.



Product description	Push-Pull male cable connector, Contacts: 4, 3.5 - 5.0 mm, shieldable, solder, IP67
Area Part no.	Push-Pull series 430 99 4909 00 04

Security notices

The connector must not be plugged or unplugged under load. Non-observance and improper use can result in personal injury.

The connectors have been developed for applications in plant engineering, control and electrical equipment construction. The user is responsible for checking whether the connectors can also be used in other areas of application.

Connectors which are used in circuits with voltages dangerous to the touch may only be installed and used by, or under the supervision of, persons with electrical engineering training, taking into account the applicable regulations and standards.

Plug connectors with enclosure protection IP 67 and IP 68 are not suitable for use under water. When used outdoors, the plug connectors must be protected separately against corrosion. For further information on the IP protection classes, please refer to the "Technical Information" download centre.