

Product data sheet

Miniature connectors

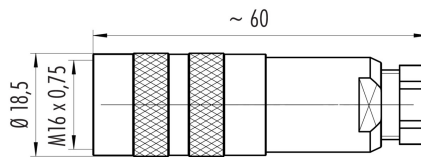


Product description	M16 IP67 female cable connector, Contacts: 4, 4.0 - 6.0 mm, shieldable, crimping (Crimp contacts must be ordered separately), IP67, UL
Area	M16 IP67 series 423
Part no.	99 5110 700 04

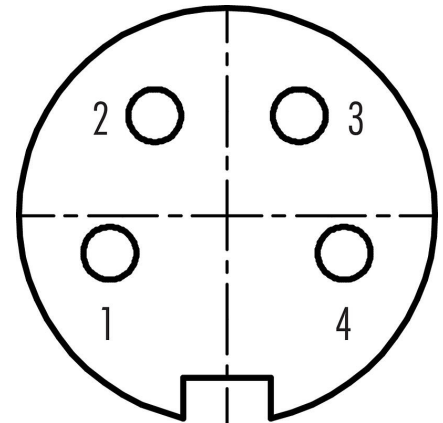
Illustration



Scale drawing



Contact arrangement (Plug-in side)



You can find the component part drawing and assembly instructions on the next page.

Technical data

General features

Part no.	99 5110 700 04
Connector design	female cable connector
Version	connector female straight
Connector locking system	screw
Termination	crimping (Crimp contacts must be ordered separately)
Degree of protection	IP67
Cross-sectional area	see crimp contacts under accessories
Cable outlet	4.0 - 6.0 mm
Temperature range from/to	-40 °C / 100 °C
Mechanical operation	> 500 Mating cycles
Weight (g)	50.41
Customs tariff number	85369010

Electrical parameters

Rated voltage	250 V
Rated impulse voltage	1500 V
Rated current (40 °C)	5 A
Insulation resistance	$\geq 10^{10} \Omega$
Pollution degree	1
Overvoltage category	I
Insulating material group	III

Product data sheet

Miniature connectors

Product description	M16 IP67 female cable connector, Contacts: 4, 4.0 - 6.0 mm, shieldable, crimping (Crimp contacts must be ordered separately), IP67, UL
Area	M16 IP67 series 423
Part no.	99 5110 700 04

EMC compliance	shieldable
Shield connection	cable clamp

Material

Housing material	CuZn (Brass nickel plated)
Contact body material	PBT (UL94 V-0)
Contact material	depending on crimp contact (accessory)
REACH SVHC	CAS 7439-92-1 (Lead)
SCIP number	5780962f-23b4-49c3-968e-675b33158008

Authorization/approvals

Approvals	UL
-----------	----

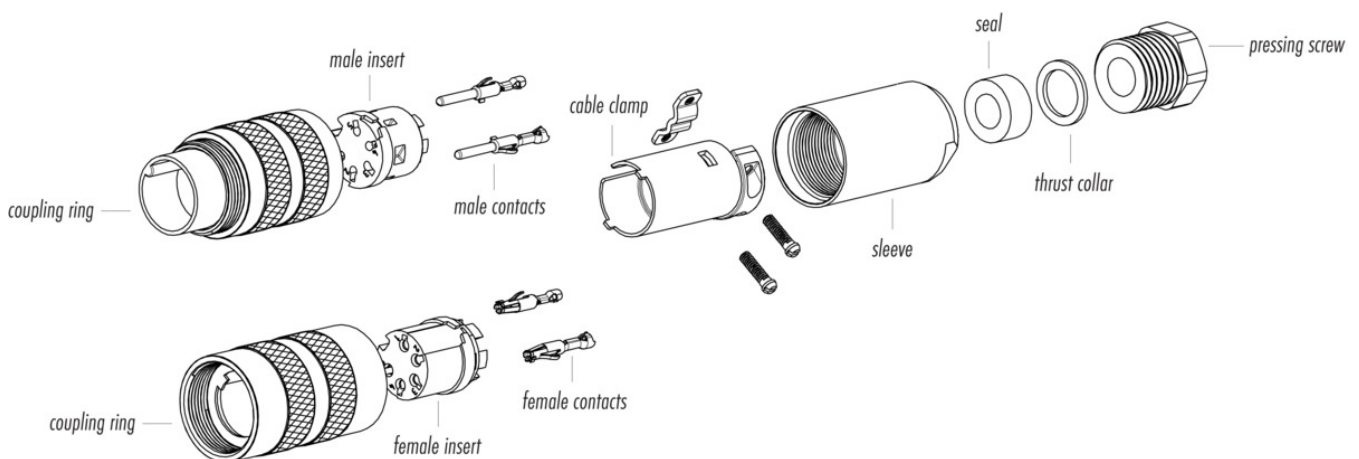
Classifications

eCl@ss 11.1	27-44-01-02
ETIM 7.0	EC002635

Declarations of conformity

Low Voltage Directive	2014/35/EU (EN 60204-1:2018;EN 60529:1991)
-----------------------	--

Component part drawing



Product data sheet

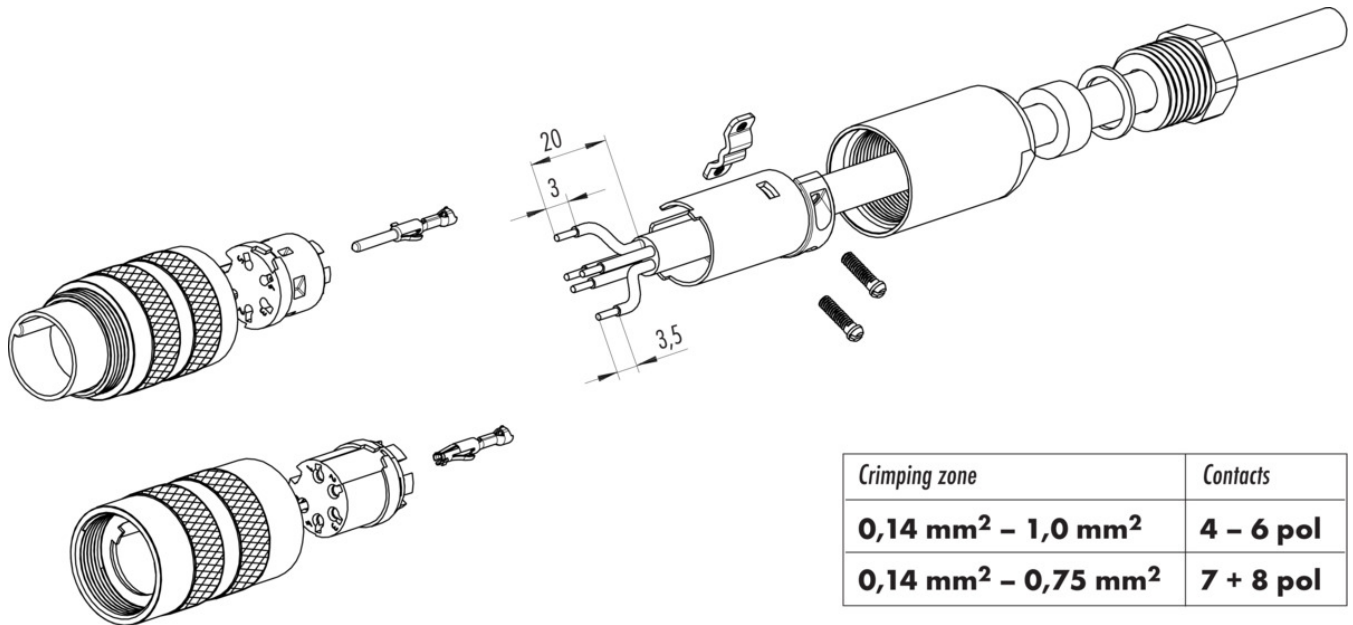
Miniature connectors



Product description M16 IP67 female cable connector, Contacts: 4, 4.0 - 6.0 mm, shieldable, crimping (Crimp contacts must be ordered separately), IP67, UL

Area M16 IP67 series 423
Part no. 99 5110 700 04

Assembly instructions



Crimping zone	Contacts
0,14 mm ² - 1,0 mm ²	4 - 6 pol
0,14 mm ² - 0,75 mm ²	7 + 8 pol

Product description	M16 IP67 female cable connector, Contacts: 4, 4.0 - 6.0 mm, shieldable, crimping (Crimp contacts must be ordered separately), IP67, UL
Area	M16 IP67 series 423
Part no.	99 5110 700 04

Security notices

The connector must not be plugged or unplugged under load. Non-observance and improper use can result in personal injury.

The connectors have been developed for applications in plant engineering, control and electrical equipment construction. The user is responsible for checking whether the connectors can also be used in other areas of application.

Connectors which are used in circuits with voltages dangerous to the touch may only be installed and used by, or under the supervision of, persons with electrical engineering training, taking into account the applicable regulations and standards.

Plug connectors with enclosure protection IP 67 and IP 68 are not suitable for use under water. When used outdoors, the plug connectors must be protected separately against corrosion. For further information on the IP protection classes, please refer to the "Technical Information" download centre.

The plug connector is not suitable for mains voltages. Please observe the pollution degree and the overvoltage category. For further information, please refer to the download center "Technical Information".

To lock the cable connector with the device connector, the threaded ring is tightened "hand-tight" (approx. 50 cNm).