

Product data sheet

Miniature connectors

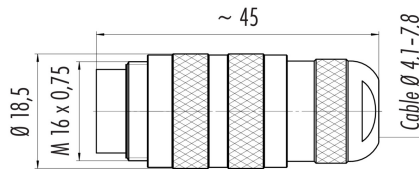


Product description	M16 IP67 male cable connector, Contacts: 8 DIN, 4.0 - 8.0 mm, unshielded, solder, IP68, UL, AISG compliant
Area	M16 IP67 series 423
Part no.	99 5171 40 08

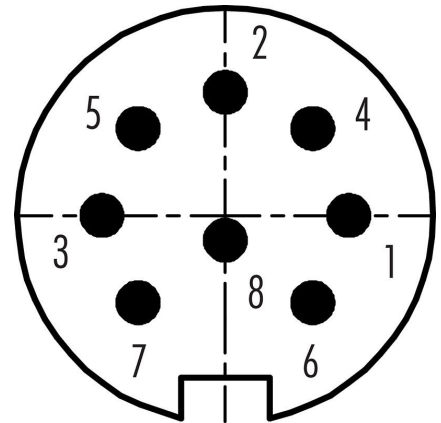
Illustration



Scale drawing



Contact arrangement (Plug-in side)



You can find the component part drawing and assembly instructions on the next page.

Technical data

General features

Part no.	99 5171 40 08
Connector design	male cable connector
Version	connector male straight
Connector locking system	screw
Termination	solder
Degree of protection	IP68 IP67
Cross-sectional area	max. 0.75 mm ² / max. AWG 18
Cable outlet	4.0 - 8.0 mm
Temperature range from/to	-30 °C / 95 °C
Mechanical operation	> 500 Mating cycles
Weight (g)	32.31
Customs tariff number	85369010

Electrical parameters

Rated voltage	60 V
Rated impulse voltage	500 V
Rated current (40 °C)	5 A
Insulation resistance	≥ 10 ¹⁰ Ω
Pollution degree	1
Overvoltage category	I
Insulating material group	III

Product data sheet

Miniature connectors

Product description	M16 IP67 male cable connector, Contacts: 8 DIN, 4.0 - 8.0 mm, unshielded, solder, IP68, UL, AISG compliant
Area	M16 IP67 series 423
Part no.	99 5171 40 08

EMC compliance unshielded

Material

Housing material	CuZn (Brass nickel plated)
Contact body material	PBT (UL94 V-0)
Contact material	CuZn (brass)
Contact plating	Au (gold)
REACH SVHC	CAS 7439-92-1 (Lead)
SCIP number	df8d8cc6-4a19-4af4-be02-77deb36d76d3

Authorization/approvals

Approvals	UL, AISG compliant
-----------	--------------------

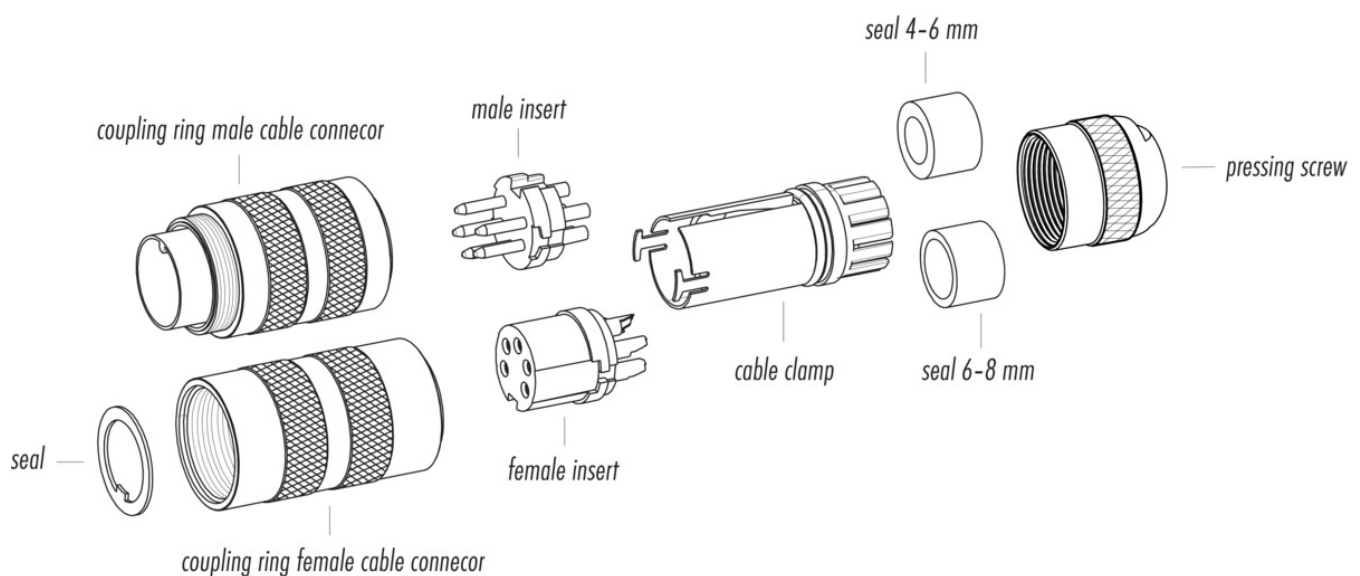
Classifications

eCl@ss 11.1	27-44-01-02
ETIM 7.0	EC002635

Declarations of conformity

Low Voltage Directive	2014/35/EU (EN 60204-1:2018;EN 60529:1991)
-----------------------	--

Component part drawing



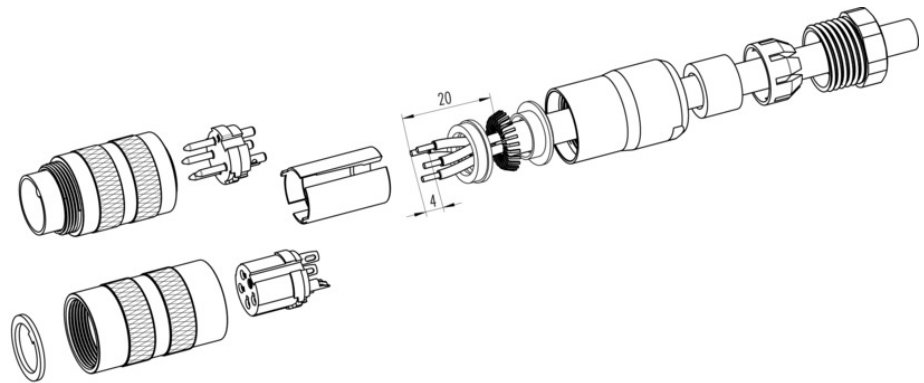
Product description	M16 IP67 male cable connector, Contacts: 8 DIN, 4.0 - 8.0 mm, unshielded, solder, IP68, UL, AISG compliant
Area	M16 IP67 series 423
Part no.	99 5171 40 08

Assembly instructions

Straight version

(Version with shield clamping ring)

1. Bead pressing screw, pinch ring, seal, distance shell and first shield clamping ring on cable.
2. Strip wires, widen shield and bead second shield clamping ring.
3. Solder wires, snap distance shell, push the two shield clamping rings together and cut off projecting shielding braid.
4. Assemble remaining parts according to picture.



Product description	M16 IP67 male cable connector, Contacts: 8 DIN, 4.0 - 8.0 mm, unshielded, solder, IP68, UL, AISG compliant
Area	M16 IP67 series 423
Part no.	99 5171 40 08

Security notices

The connectors have been developed for applications in plant engineering, control and electrical equipment construction. The user is responsible for checking whether the connectors can also be used in other areas of application.

Plug connectors with enclosure protection IP 67 and IP 68 are not suitable for use under water. When used outdoors, the plug connectors must be protected separately against corrosion. For further information on the IP protection classes, please refer to the "Technical Information" download centre.

To lock the cable connector with the device connector, the threaded ring is tightened "hand-tight" (approx. 50 cNm).