

# Product data sheet

## Miniature connectors

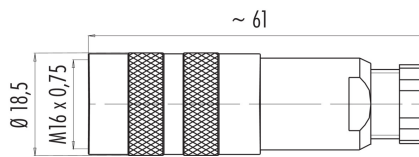


|                     |   |
|---------------------|---|
| Product description | M16 IP67 female cable connector, Contacts: 14, 4.0 - 6.0 mm, shieldable, solder, IP67, UL |
| Area                | M16 IP67 series 423   |
| Part no.            | 99 5452 15 14   |

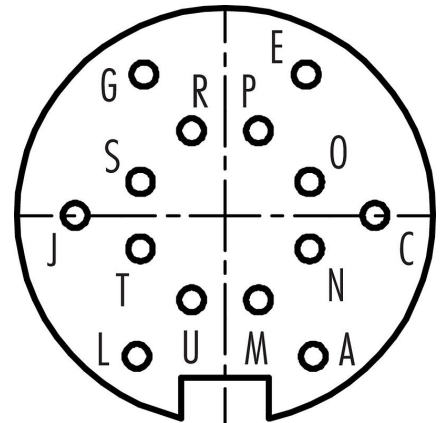
### Illustration



### Scale drawing



### Contact arrangement (Plug-in side)



You can find the component part drawing and assembly instructions on the next page.

## Technical data

### General features

|                           |                                    |
|---------------------------|------------------------------------|
| Part no.                  | 99 5452 15 14                      |
| Connector design          | female cable connector             |
| Version                   | female straight                    |
| Connector locking system  | screw                              |
| Termination               | solder                             |
| Degree of protection      | IP67                               |
| Cross-sectional area      | max. 0.25 mm <sup>2</sup> / AWG 24 |
| Cable outlet              | 4.0 - 6.0 mm                       |
| Temperature range from/to | -30 °C / 95 °C                     |
| Mechanical operation      | > 500 Mating cycles                |
| Weight (g)                | 52.49                              |
| Customs tariff number     | 85369010                           |

### Electrical parameters

|                           |                      |
|---------------------------|----------------------|
| Rated voltage             | 60 V                 |
| Rated impulse voltage     | 500 V                |
| Rated current (40 °C)     | 3,0 A                |
| Insulation resistance     | ≥ 10 <sup>10</sup> Ω |
| Pollution degree          | 1                    |
| Overvoltage category      | I                    |
| Insulating material group | III                  |

# Product data sheet

## Miniature connectors

|                     |   |
|---------------------|---|
| Product description | M16 IP67 female cable connector, Contacts: 14, 4.0 - 6.0 mm, shieldable, solder, IP67, UL |
| Area                | M16 IP67 series 423   |
| Part no.            | 99 5452 15 14   |

|                   |                |
|-------------------|----------------|
| EMC compliance    | shieldable     |
| Shield connection | shielding ring |

### Material

|                       |  |
|-----------------------|--|
| Housing material      | CuZn (Brass nickel plated)                                   |
| Contact body material | PBT (UL94 V-0)   |
| Contact material      | CuSn (bronze)  |
| Contact plating       | Au (gold)  |
| REACH SVHC            | CAS 96-45-7 (Imidazolidine-2-thione)<br>CAS 7439-92-1 (Lead) |
| SCIP number           | SCIP-number not available                                    |

### Authorization/approvals

|           |    |
|-----------|----|
| Approvals | UL |
|-----------|----|

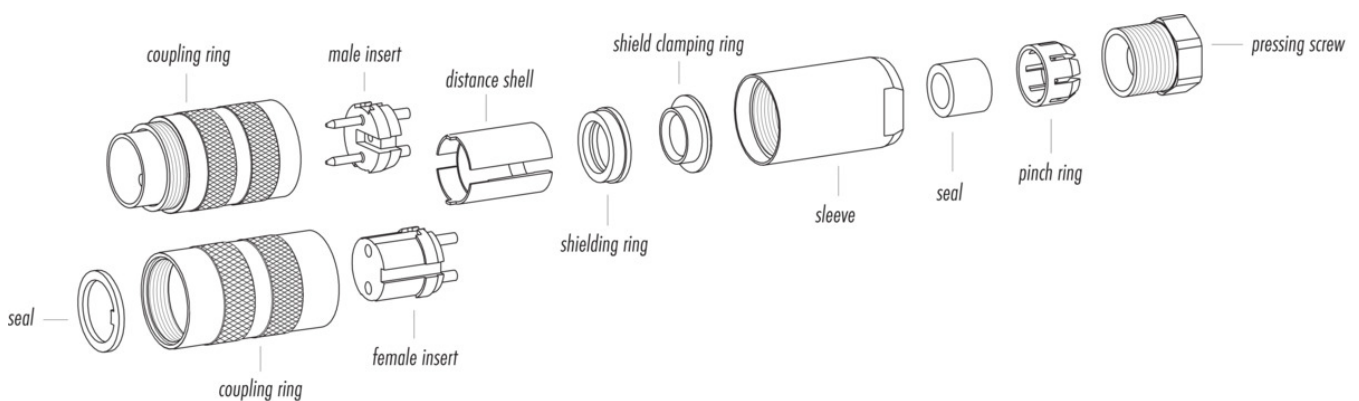
### Classifications

|             |             |
|-------------|-------------|
| eCl@ss 11.1 | 27-44-01-02 |
| ETIM 7.0    | EC002635    |

### Declarations of conformity

|                       |  |
|-----------------------|--|
| Low Voltage Directive | 2014/35/EU (EN 60204-1:2018;EN 60529:1991) |
|-----------------------|--|

### Component part drawing



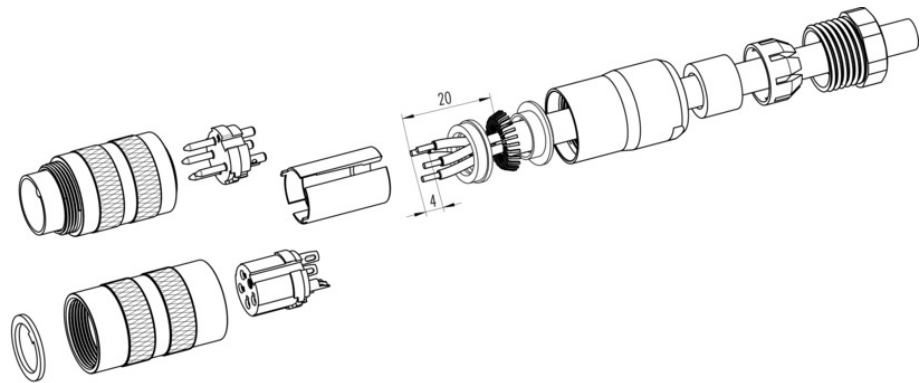
|                     |   |
|---------------------|---|
| Product description | M16 IP67 female cable connector, Contacts: 14, 4.0 - 6.0 mm, shieldable, solder, IP67, UL |
| Area                | M16 IP67 series 423   |
| Part no.            | 99 5452 15 14   |

## Assembly instructions

### **Straight version**

(Version with shield clamping ring)

1. Bead pressing screw, pinch ring, seal, distance shell and first shield clamping ring on cable.
2. Strip wires, widen shield and bead second shield clamping ring.
3. Solder wires, snap distance shell, push the two shield clamping rings together and cut off projecting shielding braid.
4. Assemble remaining parts according to picture.



|                     |  |
|---------------------|--|
| Product description | <b>M16 IP67 female cable connector, Contacts: 14, 4.0 - 6.0 mm, shieldable, solder, IP67, UL</b> |
| Area                | <b>M16 IP67 series 423</b>   |
| Part no.            | <b>99 5452 15 14</b>   |

### **Security notices**

The connectors have been developed for applications in plant engineering, control and electrical equipment construction. The user is responsible for checking whether the connectors can also be used in other areas of application.

Plug connectors with enclosure protection IP 67 and IP 68 are not suitable for use under water. When used outdoors, the plug connectors must be protected separately against corrosion. For further information on the IP protection classes, please refer to the "Technical Information" download centre.

To lock the cable connector with the device connector, the threaded ring is tightened "hand-tight" (approx. 50 cNm).