

# Product data sheet

## Miniature connectors



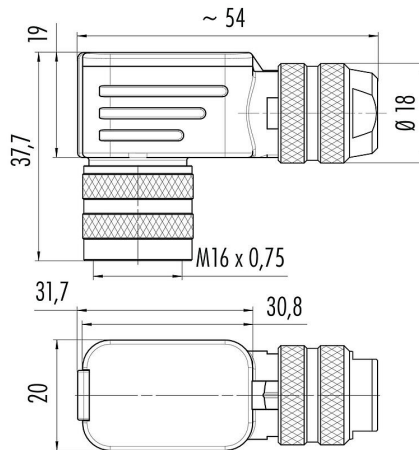
Product description **M16 IP67 female angled connector, Contacts: 6 DIN, 6.0 - 8.0 mm, shieldable, crimping (Crimp contacts must be ordered separately), IP67, UL**

Area **M16 IP67 series 423**  
Part no. **99 5622 750 06**

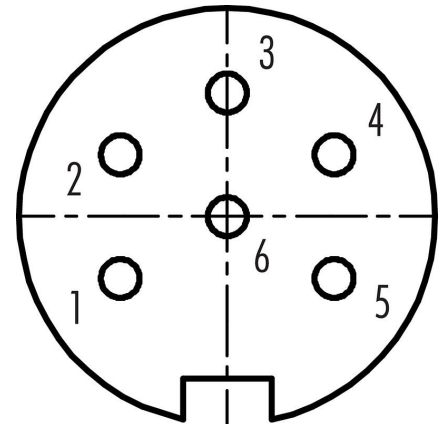
### Illustration



### Scale drawing



### Contact arrangement (Plug-in side)



You can find the assembly instructions on the next page.

## Technical data

### General features

Part no.	<b>99 5622 750 06</b>
Connector design	female angled connector
Version	female angled
Connector locking system	screw
Termination	crimping ( <a href="#">Crimp contacts must be ordered separately</a> )
Degree of protection	IP67
Cross-sectional area	<a href="#">see crimp contacts under accessories</a>
Cable outlet	6.0 - 8.0 mm
Twistability	90° (4 coding options)
Temperature range from/to	-40 °C / 100 °C
Mechanical operation	> 500 Mating cycles
Weight (g)	66.37
Customs tariff number	85369010

### Electrical parameters

Rated voltage	250 V
Rated impulse voltage	1500 V
Rated current (40 °C)	5,0 A
Insulation resistance	≥ 10 <sup>10</sup> Ω
Pollution degree	1



# Product data sheet

## Miniature connectors



Product description **M16 IP67 female angled connector, Contacts: 6 DIN, 6.0 - 8.0 mm, shieldable, crimping (Crimp contacts must be ordered separately), IP67, UL**

Area **M16 IP67 series 423**  
Part no. **99 5622 750 06**

Overvoltage category	I
Insulating material group	III
EMC compliance	shieldable
Shield connection	shielding ring

### Material

Housing material	CuZn (Brass nickel plated)
Contact body material	PBT (UL94 V-0)
Contact material	depending on crimp contact (accessory)
REACH SVHC	CAS 96-45-7 (Imidazolidine-2-thione) CAS 7439-92-1 (Lead)
SCIP number	7d92179d-8741-4b8a-8836-9969bfede191

### Authorization/approvals

Approvals	UL
-----------	----

### Classifications

eCl@ss 11.1	27-44-01-02
ETIM 7.0	EC002635

### Declarations of conformity

Low Voltage Directive	2014/35/EU (EN 60204-1:2018;EN 60529:1991)
-----------------------	--

# Product data sheet

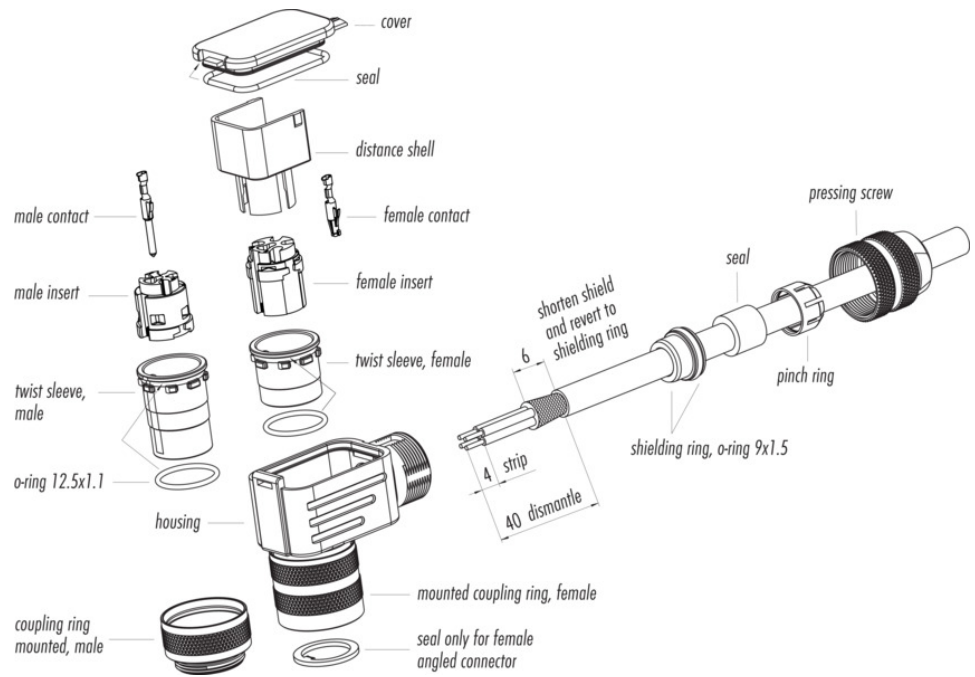
## Miniature connectors

Product description **M16 IP67 female angled connector, Contacts: 6 DIN, 6.0 - 8.0 mm, shieldable, crimping (Crimp contacts must be ordered separately), IP67, UL**

Area **M16 IP67 series 423**  
 Part no. **99 5622 750 06**

### Assembly instructions

1. Bead parts.
2. Strip wires, shorten shield and thread wires through housing.
3. Crimp contacts and insert into contact insert, mount contact insert and twist sleeve.
4. Pull back cable, revert shield on shielding ring, mount shielding ring, seal and pinch ring.
5. Mount distance sleeve, mount seal to cover, insert cover and turn on pressing screw to fix the cable.



Product description	<b>M16 IP67 female angled connector, Contacts: 6 DIN, 6.0 - 8.0 mm, shieldable, crimping (Crimp contacts must be ordered separately), IP67, UL</b>
Area	<b>M16 IP67 series 423</b>
Part no.	<b>99 5622 750 06</b>

## Security notices

The connector must not be plugged or unplugged under load. Non-observance and improper use can result in personal injury.

The connectors have been developed for applications in plant engineering, control and electrical equipment construction. The user is responsible for checking whether the connectors can also be used in other areas of application.

Connectors which are used in circuits with voltages dangerous to the touch may only be installed and used by, or under the supervision of, persons with electrical engineering training, taking into account the applicable regulations and standards.

Plug connectors with enclosure protection IP 67 and IP 68 are not suitable for use under water. When used outdoors, the plug connectors must be protected separately against corrosion. For further information on the IP protection classes, please refer to the "Technical Information" download centre.

The plug connector is not suitable for mains voltages. Please observe the pollution degree and the overvoltage category. For further information, please refer to the download center "Technical Information".

To lock the cable connector with the device connector, the threaded ring is tightened "hand-tight" (approx. 50 cNm).