

Product data sheet

Miniature connectors

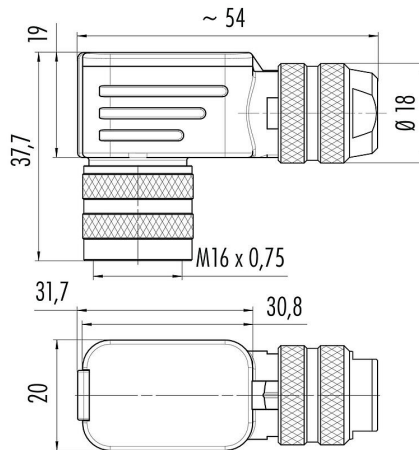


Product description	M16 IP67 female angled connector, Contacts: 7, 6.0 - 8.0 mm, shieldable, crimping (Crimp contacts must be ordered separately), IP67, UL
Area	M16 IP67 series 423
Part no.	99 5626 750 07

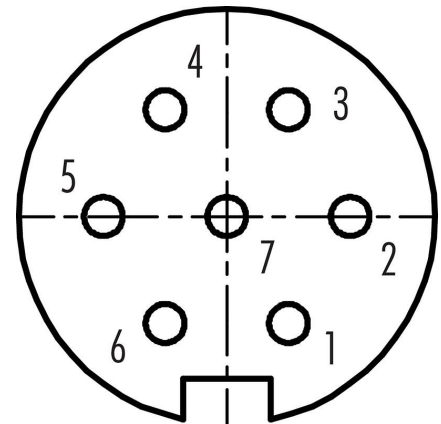
Illustration



Scale drawing



Contact arrangement (Plug-in side)



You can find the assembly instructions on the next page.

Technical data

General features

Part no.	99 5626 750 07
Connector design	female angled connector
Version	female angled
Connector locking system	screw
Termination	crimping (Crimp contacts must be ordered separately)
Degree of protection	IP67
Cross-sectional area	see crimp contacts under accessories
Cable outlet	6.0 - 8.0 mm
Twistability	90° (4 coding options)
Temperature range from/to	-40 °C / 100 °C
Mechanical operation	> 500 Mating cycles
Weight (g)	56.93
Customs tariff number	85369010

Electrical parameters

Rated voltage	125 V
Rated impulse voltage	800 V
Rated current (40 °C)	5,0 A
Insulation resistance	≥ 10 ¹⁰ Ω
Pollution degree	1



Product data sheet

Miniature connectors



Product description **M16 IP67 female angled connector, Contacts: 7, 6.0 - 8.0 mm, shieldable, crimping (Crimp contacts must be ordered separately), IP67, UL**

Area **M16 IP67 series 423**
Part no. **99 5626 750 07**

Overvoltage category I
Insulating material group III
EMC compliance shieldable
Shield connection shielding ring

Material

Housing material CuZn (Brass nickel plated)
Contact body material PBT (UL94 V-0)
Contact material depending on crimp contact (accessory)
REACH SVHC CAS 96-45-7 (Imidazolidine-2-thione)
CAS 7439-92-1 (Lead)
SCIP number 9b0586ad-4825-4a2e-998d-58f5f056a6ac

Authorization/approvals

Approvals UL

Classifications

eCl@ss 11.1 27-44-01-02
ETIM 7.0 EC002635

Declarations of conformity

Low Voltage Directive 2014/35/EU (EN 60204-1:2018;EN 60529:1991)

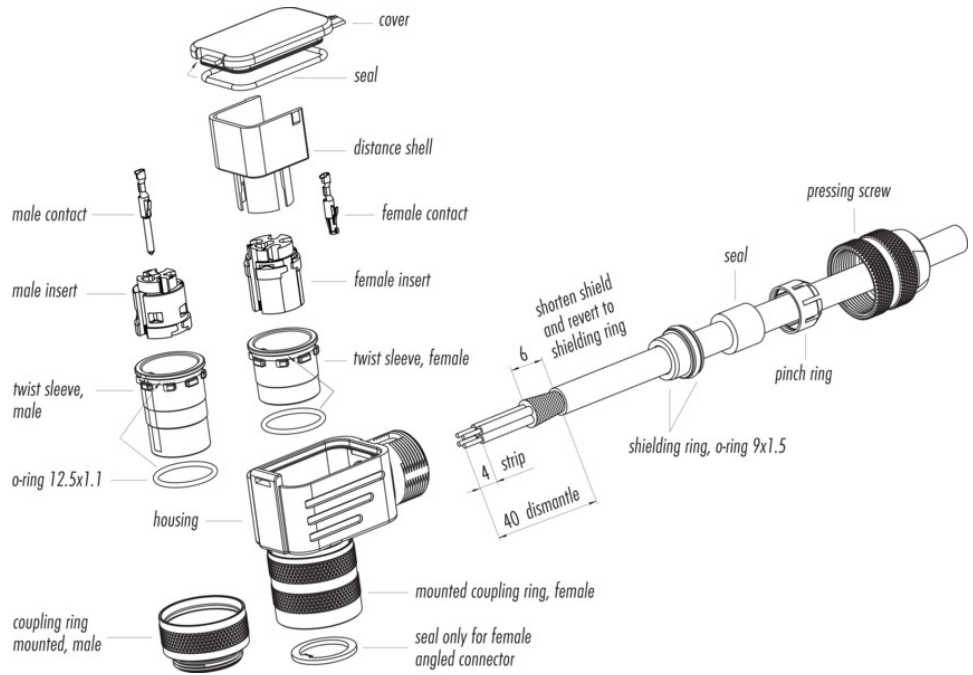
Product data sheet

Miniature connectors

Product description	M16 IP67 female angled connector, Contacts: 7, 6.0 - 8.0 mm, shieldable, crimping (Crimp contacts must be ordered separately), IP67, UL
Area	M16 IP67 series 423
Part no.	99 5626 750 07

Assembly instructions

1. Bead parts.
2. Strip wires, shorten shield and thread wires through housing.
3. Crimp contacts and insert into contact insert, mount contact insert and twist sleeve.
4. Pull back cable, revert shield on shielding ring, mount shielding ring, seal and pinch ring.
5. Mount distance sleeve, mount seal to cover, insert cover and turn on pressing screw to fix the cable.



Product description	M16 IP67 female angled connector, Contacts: 7, 6.0 - 8.0 mm, shieldable, crimping (Crimp contacts must be ordered separately), IP67, UL
Area	M16 IP67 series 423
Part no.	99 5626 750 07

Security notices

The connector must not be plugged or unplugged under load. Non-observance and improper use can result in personal injury.

The connectors have been developed for applications in plant engineering, control and electrical equipment construction. The user is responsible for checking whether the connectors can also be used in other areas of application.

Connectors which are used in circuits with voltages dangerous to the touch may only be installed and used by, or under the supervision of, persons with electrical engineering training, taking into account the applicable regulations and standards.

Plug connectors with enclosure protection IP 67 and IP 68 are not suitable for use under water. When used outdoors, the plug connectors must be protected separately against corrosion. For further information on the IP protection classes, please refer to the "Technical Information" download centre.

To lock the cable connector with the device connector, the threaded ring is tightened "hand-tight" (approx. 50 cNm).