

Product description	Snap-In IP67 male panel mount connector, Contacts: 3, unshielded, solder, IP67, VDE
Area	Snap-In IP67 series 720
Order number	99 9107 60 03

Illustration	Scale drawing	Contact arrangement (Plug-in side)

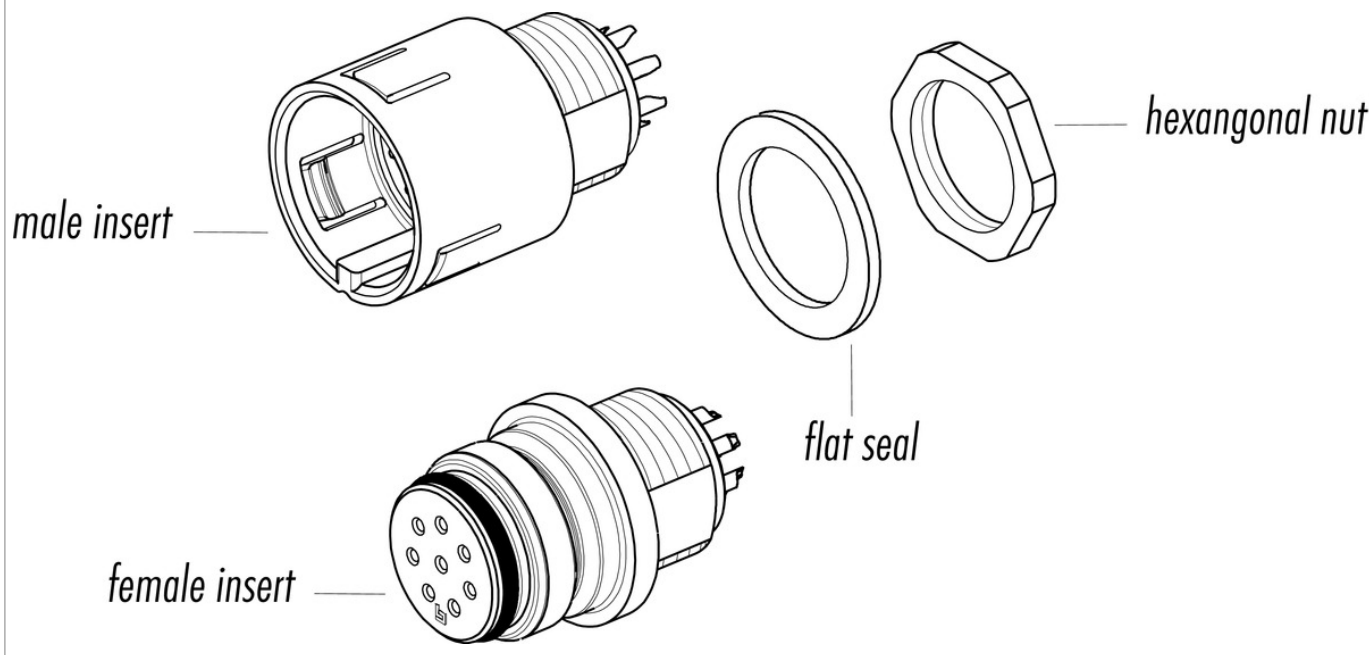
You can find the component part drawing and assembly instructions on the next page.

Technical data			
General features			
Order number	99 9107 60 03		
Connector design	male panel mount connector		
Version	connector male straight		
Connector locking system	snap		
Termination	solder		
Degree of protection	IP67		
Cross-sectional area	max. 0.75 mm ² / max. AWG 18		
Temperature range from/to	-25 °C / 85 °C		
Mechanical operation	> 500 Mating cycles		
Weight (g)	4.453		
Customs tariff number	85369010		
Electrical parameters			
Rated voltage	250 V		
Rated impulse voltage	2500 V		
Rated current (40 °C)	7 A		
Insulation resistance	≥ 10 ¹⁰ Ω		
Pollution degree	2		
Overvoltage category	II		
Insulating material group	II		
EMC compliance	unshielded		
Material			
Housing material	PA		
Contact body material	PA (UL94 HB) blue		
Contact material	CuZn (brass)		
Contact plating	Au (gold)		
REACH SVHC	CAS 7439-92-1 (Lead)		
Classifications			
eCl@ss 11.1	27-44-01-02		
ETIM 7.0	EC002635		

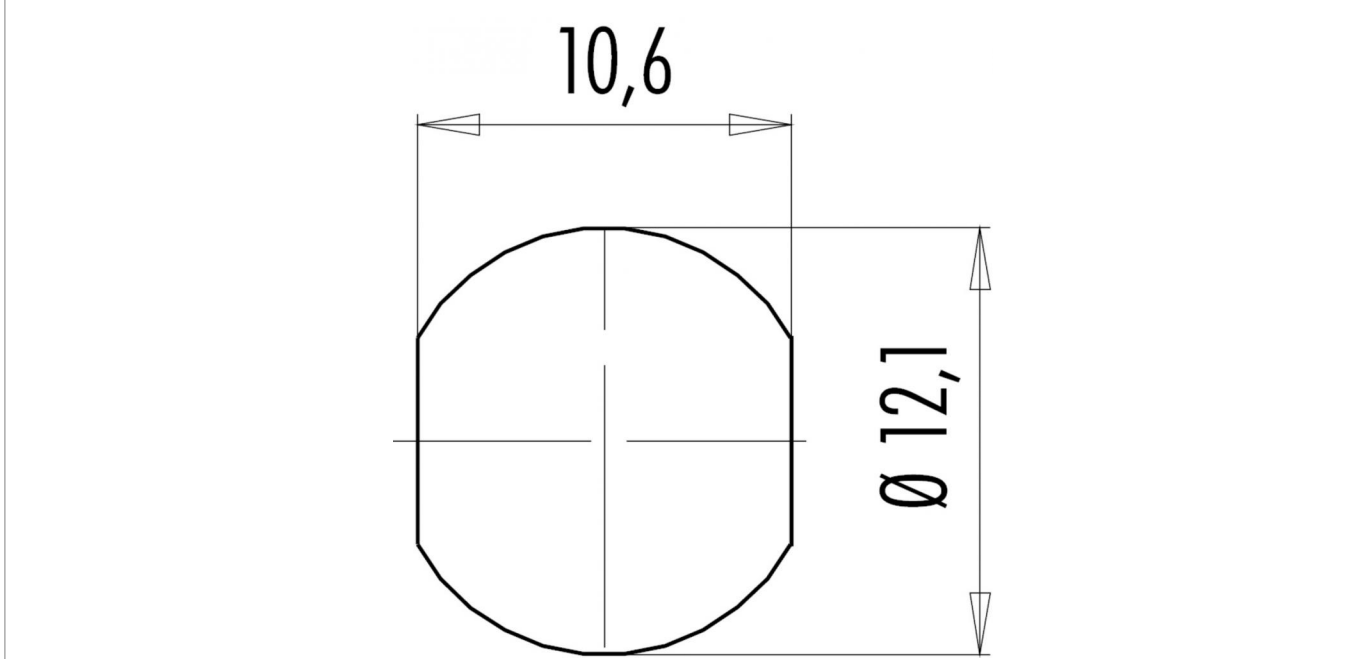
Product description Snap-In IP67 male panel mount connector, Contacts: 3, unshielded, solder, IP67, VDE

Area Snap-In IP67 series 720
Order number 99 9107 60 03

Component part drawing



Assembly instructions / Panel cut-out



Product description	Snap-In IP67 male panel mount connector, Contacts: 3, unshielded, solder, IP67, VDE
Area	Snap-In IP67 series 720
Order number	99 9107 60 03

Security notices

The connector must not be plugged or unplugged under load. Non-observance and improper use can result in personal injury.

The connectors have been developed for applications in plant engineering, control and electrical equipment construction. The user is responsible for checking whether the connectors can also be used in other areas of application.

Plug connectors with enclosure protection IP 67 and IP 68 are not suitable for use under water. When used outdoors, the plug connectors must be protected separately against corrosion. For further information on the IP protection classes, please refer to the "Technical Information" download centre.