

# Product data sheet

## Miniature connectors

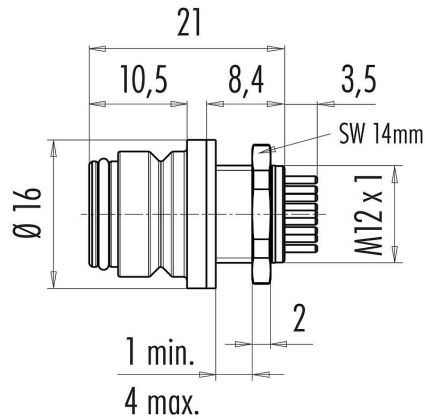


|                     |   |
|---------------------|---|
| Product description | Snap-In IP67 female panel mount connector, Contacts: 3, unshielded, solder, IP67, VDE |
| Area                | Snap-In IP67 series 720   |
| Part no.            | 99 9108 00 03   |

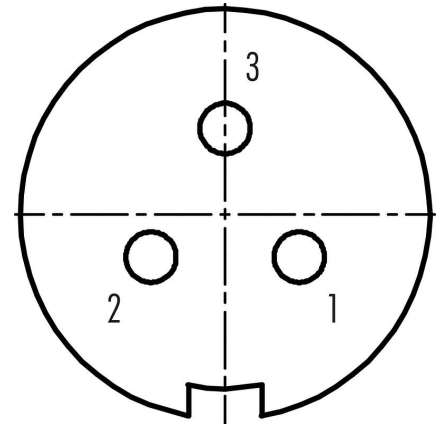
### Illustration



### Scale drawing



### Contact arrangement (Plug-in side)



You can find the component part drawing and assembly instructions on the next page.

### Technical data

#### General features

|                           |   |
|---------------------------|---|
| Part no.                  | 99 9108 00 03                           |
| Connector design          | female panel mount connector            |
| Version                   | connector female straight               |
| Connector locking system  | snap                                    |
| Termination               | solder                                  |
| Degree of protection      | IP67                                    |
| Cross-sectional area      | max. 0.75 mm <sup>2</sup> / max. AWG 18 |
| Temperature range from/to | -25 °C / 85 °C                          |
| Mechanical operation      | > 500 Mating cycles                     |
| Weight (g)                | 5.52                                    |
| Customs tariff number     | 85369010                                |

#### Electrical parameters

|                           |                      |
|---------------------------|----------------------|
| Rated voltage             | 250 V                |
| Rated impulse voltage     | 2500 V               |
| Rated current (40 °C)     | 7 A                  |
| Insulation resistance     | ≥ 10 <sup>10</sup> Ω |
| Pollution degree          | 2                    |
| Overvoltage category      | II                   |
| Insulating material group | II                   |
| EMC compliance            | unshielded           |



# Product data sheet

## Miniature connectors

|                     |   |
|---------------------|---|
| Product description | Snap-In IP67 female panel mount connector, Contacts: 3, unshielded, solder, IP67, VDE |
| Area<br>Part no.    | Snap-In IP67 series 720<br>99 9108 00 03  |

### Material

|                       |                                      |
|-----------------------|--------------------------------------|
| Housing material      | PA                                   |
| Contact body material | PA (UL94 V-0) black                  |
| Contact material      | CuSn (bronze)                        |
| Contact plating       | Au (gold)                            |
| REACH SVHC            | CAS 7439-92-1 (Lead)                 |
| SCIP number           | accff1b8-fac5-4ce2-a73e-ced4ba48a9d6 |

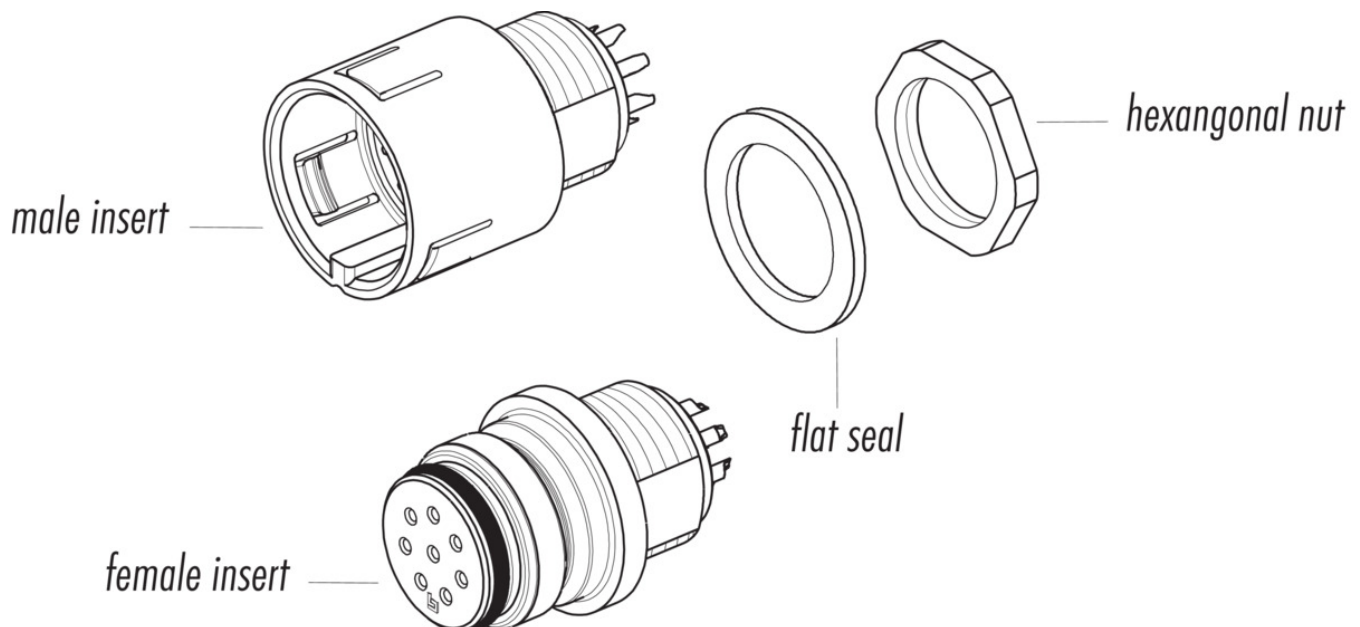
### Authorization/approvals

|           |     |
|-----------|-----|
| Approvals | VDE |
|-----------|-----|

### Classifications

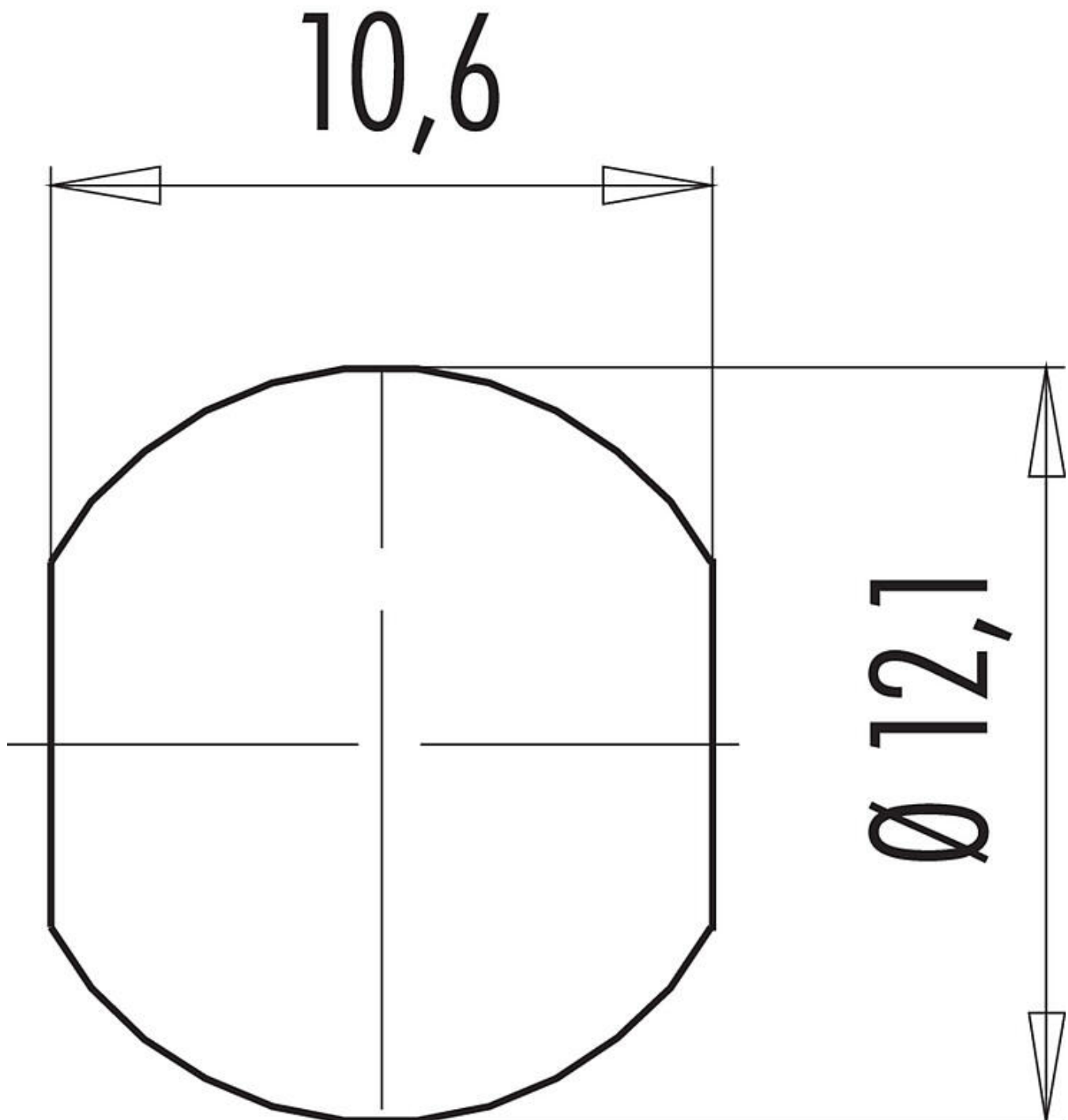
|             |             |
|-------------|-------------|
| eCl@ss 11.1 | 27-44-01-02 |
| ETIM 7.0    | EC002635    |

### Component part drawing



|                     |   |
|---------------------|---|
| Product description | Snap-In IP67 female panel mount connector, Contacts: 3, unshielded, solder, IP67, VDE |
| Area                | Snap-In IP67 series 720   |
| Part no.            | 99 9108 00 03   |

Assembly instructions / Panel cut-out



# Product data sheet

## Miniature connectors



|                     |   |
|---------------------|---|
| Product description | Snap-In IP67 female panel mount connector, Contacts: 3, unshielded, solder, IP67, VDE |
| Area                | Snap-In IP67 series 720   |
| Part no.            | 99 9108 00 03   |

### Security notices

The connector must not be plugged or unplugged under load. Non-observance and improper use can result in personal injury.

The connectors have been developed for applications in plant engineering, control and electrical equipment construction. The user is responsible for checking whether the connectors can also be used in other areas of application.

Plug connectors with enclosure protection IP 67 and IP 68 are not suitable for use under water. When used outdoors, the plug connectors must be protected separately against corrosion. For further information on the IP protection classes, please refer to the "Technical Information" download centre.

