

# Product data sheet

## Connectors for medical applications

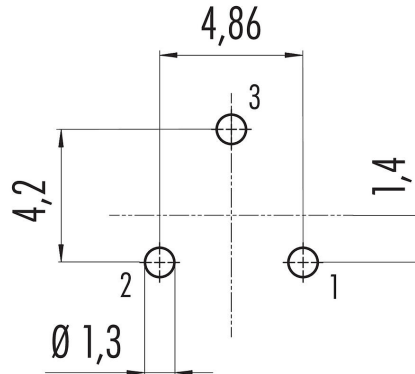


Product description	Snap-In IP67 (miniature) female panel mount connector, Contacts: 3, unshielded, dip-solder, IP67
Area	Snap-In IP67 (miniature) series 720
Part no.	99 9108 490 03

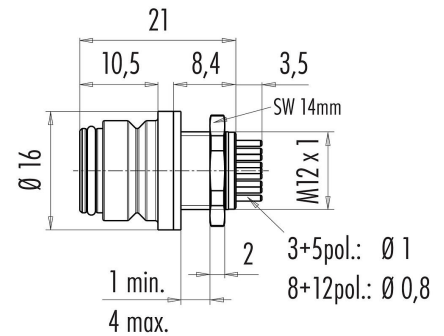
### Illustration



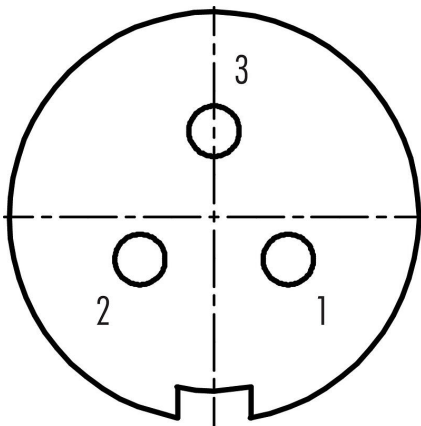
### Conductor layout



### Scale drawing



### Contact arrangement (Plug-in side)



You can find the component part drawing and assembly instructions on the next page.

### Technical data

#### General features

Part no.	99 9108 490 03
Connector design	female panel mount connector
Version	connector female straight
Connector locking system	snap
Termination	dip-solder
Degree of protection	IP67
Cross-sectional area	max. 0.75 mm <sup>2</sup> / max. AWG 18

# Product data sheet

## Connectors for medical applications



Product description	<b>Snap-In IP67 (miniature) female panel mount connector, Contacts: 3, unshielded, dip-solder, IP67</b>
Area Part no.	<b>Snap-In IP67 (miniature) series 720 99 9108 490 03</b>

Temperature range from/to	-25 °C / 85 °C
Mechanical operation	> 500 Mating cycles
Weight (g)	5.40
Customs tariff number	85369010

### Electrical parameters

Rated voltage	250 V
Rated impulse voltage	2500 V
Rated current (40 °C)	7 A
Insulation resistance	$\geq 10^{10} \Omega$
Pollution degree	2
Overvoltage category	II
Insulating material group	II
EMC compliance	unshielded

### Material

Housing material	PA
Contact body material	PA (UL94 V-0) grey
Contact material	CuSn (bronze)
Contact plating	Au (gold)
REACH SVHC	CAS 7439-92-1 (Lead)
SCIP number	12e4fda1-9315-43f9-b96d-3c0db6e84cea

### Classifications

eCl@ss 11.1	27-44-01-02
ETIM 7.0	EC002635

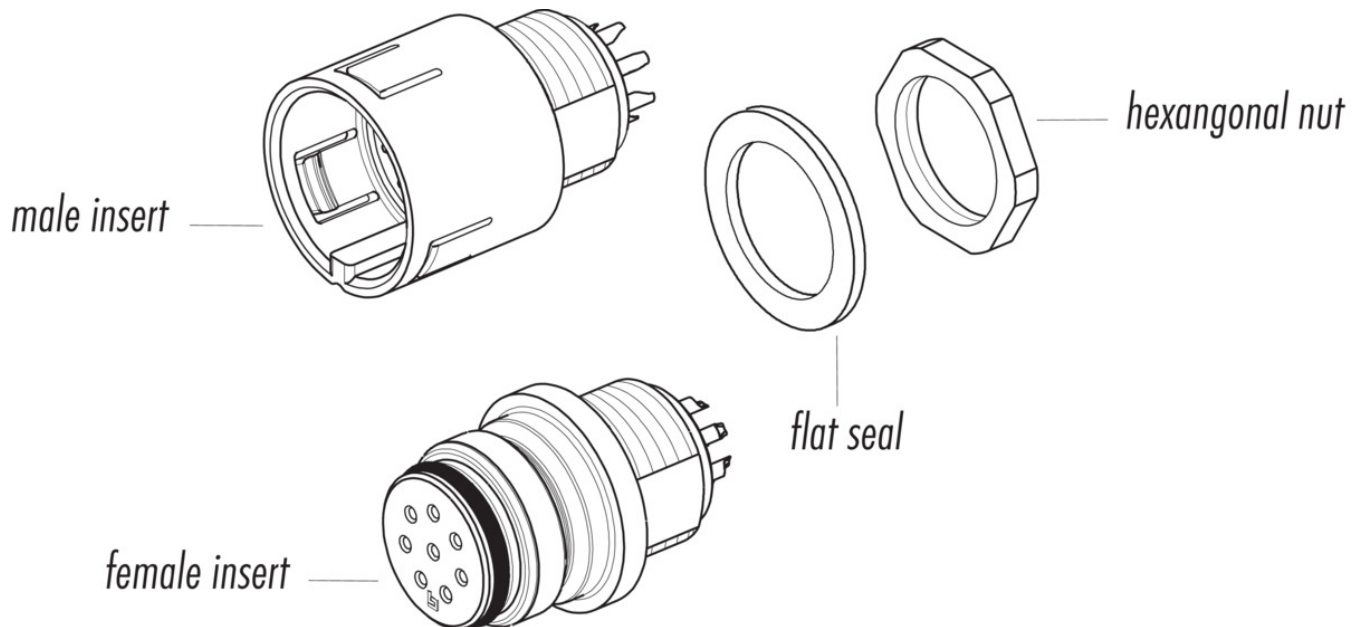
# Product data sheet

## Connectors for medical applications



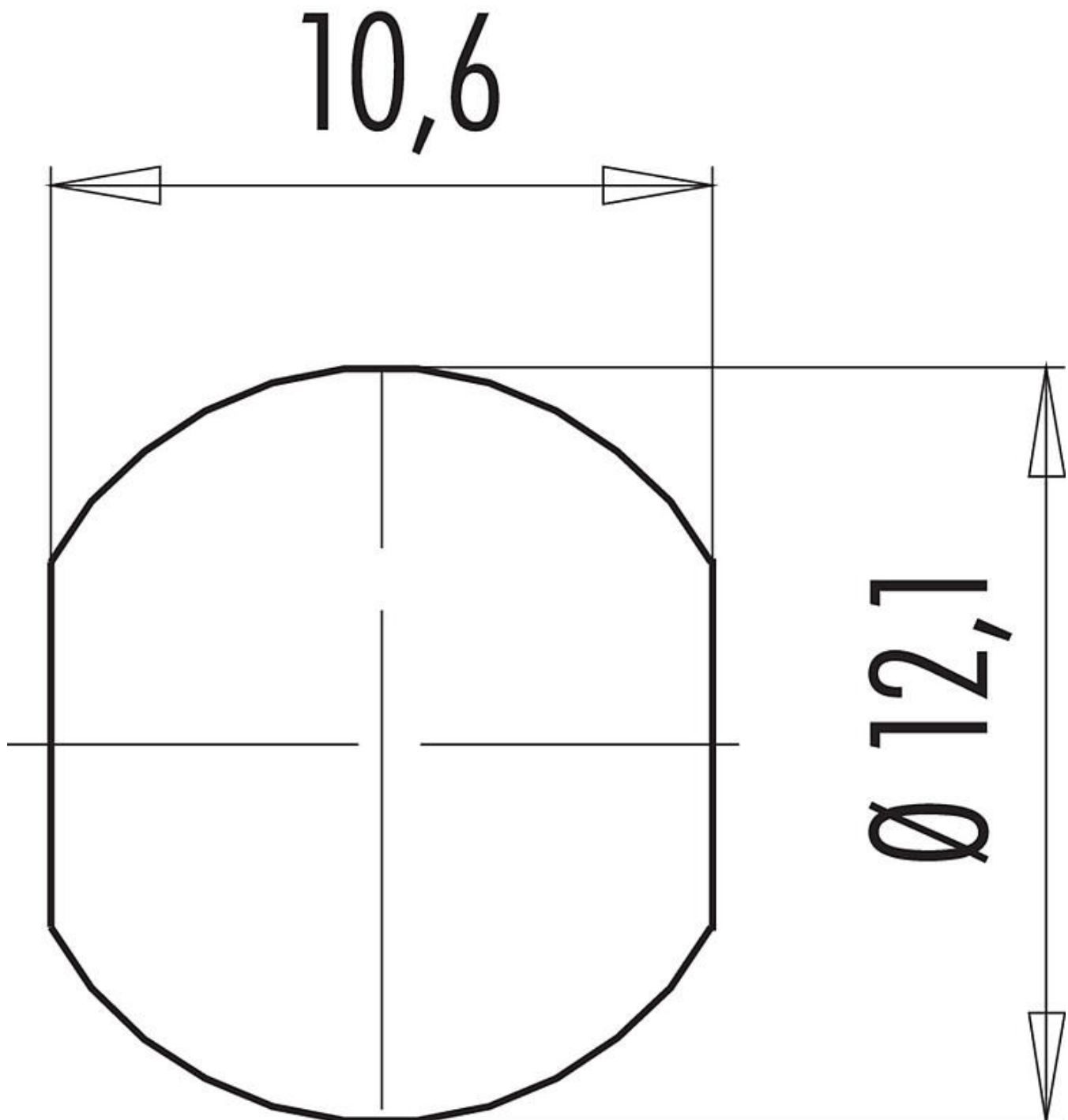
Product description	Snap-In IP67 (miniature) female panel mount connector, Contacts: 3, unshielded, dip-solder, IP67
Area	Snap-In IP67 (miniature) series 720
Part no.	99 9108 490 03

### Component part drawing



Product description	Snap-In IP67 (miniature) female panel mount connector, Contacts: 3, unshielded, dip-solder, IP67
Area	Snap-In IP67 (miniature) series 720
Part no.	99 9108 490 03

Assembly instructions / Panel cut-out



# Product data sheet

## Connectors for medical applications



Product description	<b>Snap-In IP67 (miniature) female panel mount connector, Contacts: 3, unshielded, dip-solder, IP67</b>
Area Part no.	<b>Snap-In IP67 (miniature) series 720 99 9108 490 03</b>

### Security notices

The connector must not be plugged or unplugged under load. Non-observance and improper use can result in personal injury.

The connectors have been developed for applications in plant engineering, control and electrical equipment construction. The user is responsible for checking whether the connectors can also be used in other areas of application.

To protect against unintentional opening of the connector, the thread between the housing and the connector head must be secured with a suitable cyanoacrylate adhesive when used in circuits with voltages dangerous to the touch. This does not apply to connectors used in SELV and PELV circuits according to IEC 61140 (EN 61140, VDE 0140-1).

Connectors which are used in circuits with voltages dangerous to the touch may only be installed and used by, or under the supervision of, persons with electrical engineering training, taking into account the applicable regulations and standards.

Plug connectors with enclosure protection IP 67 and IP 68 are not suitable for use under water. When used outdoors, the plug connectors must be protected separately against corrosion. For further information on the IP protection classes, please refer to the "Technical Information" download centre.