

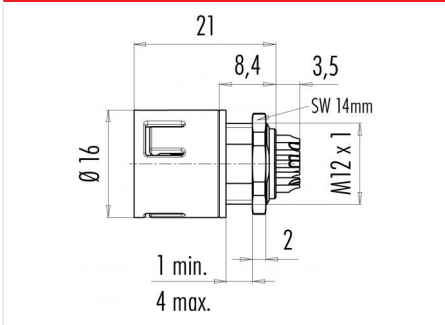
Product description Snap-In IP67 male panel mount connector, Contacts: 5, unshielded, solder, IP67, VDE

Area Snap-In IP67 series 720
Order number 99 9115 60 05

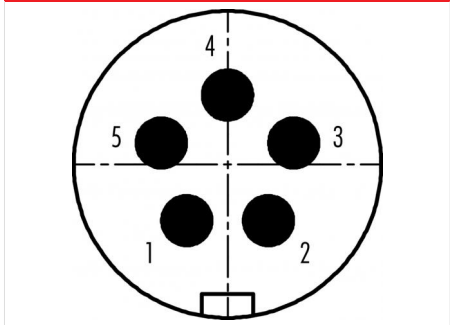
Illustration



Scale drawing



Contact arrangement (Plug-in side)



You can find the component part drawing and assembly instructions on the next page.

Technical data

General features

Order number 99 9115 60 05
Connector design male panel mount connector
Version connector male straight
Connector locking system snap
Termination solder
Degree of protection IP67
Cross-sectional area max. 0.75 mm² / max. AWG 18
Temperature range from/to -25 °C / 85 °C
Mechanical operation > 500 Mating cycles
Weight (g) 5.242
Customs tariff number 85369010

Material

Housing material PA
Contact body material PA (UL94 HB) blue
Contact material CuZn (brass)
Contact plating Au (gold)
REACH SVHC CAS 7439-92-1 (Lead)

Classifications

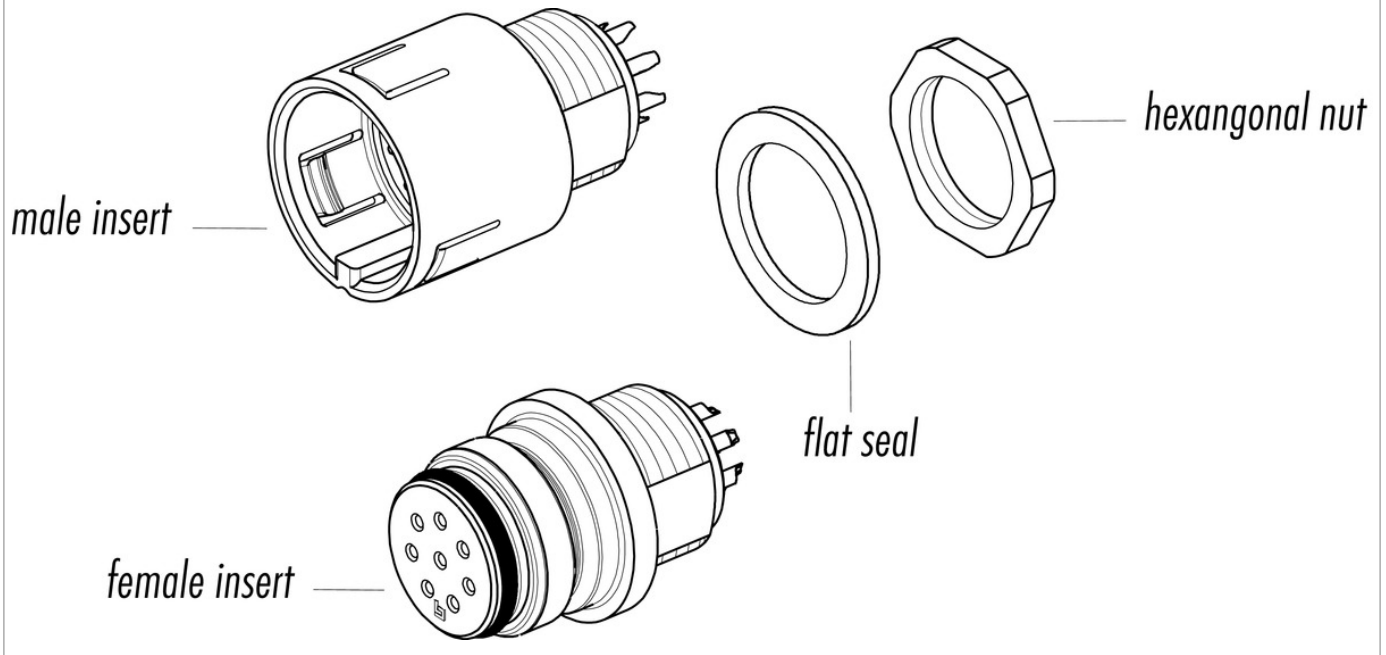
eCl@ss 11.1 27-44-01-02
ETIM 7.0 EC002635

Electrical parameters

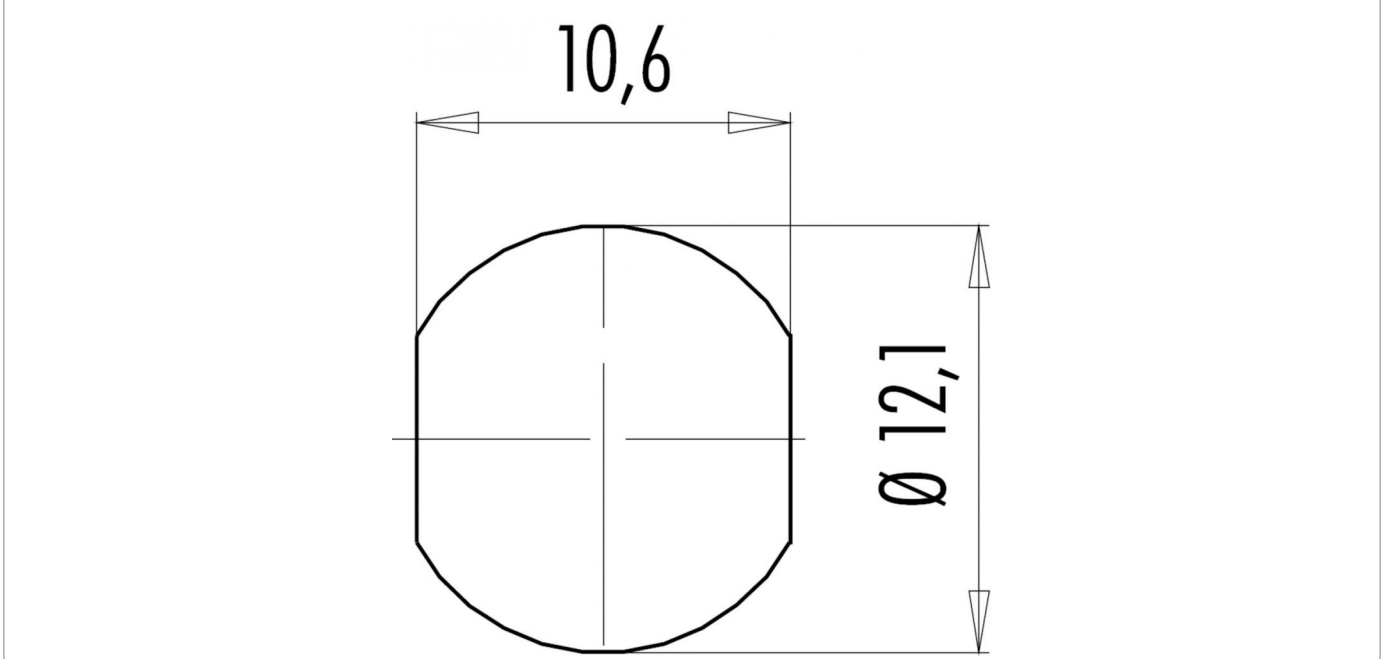
Rated voltage 125 V
Rated impulse voltage 1500 V
Rated current (40 °C) 5 A
Insulation resistance ≥ 10¹⁰ Ω
Pollution degree 2
Overvoltage category II
Insulating material group II
EMC compliance unshielded

Product description	Snap-In IP67 male panel mount connector, Contacts: 5, unshielded, solder, IP67, VDE
Area	Snap-In IP67 series 720
Order number	99 9115 60 05

Component part drawing



Assembly instructions / Panel cut-out



Product description **Snap-In IP67 male panel mount connector, Contacts: 5, unshielded, solder, IP67, VDE**

Area **Snap-In IP67 series 720**
Order number **99 9115 60 05**

Security notices

The connector must not be plugged or unplugged under load. Non-observance and improper use can result in personal injury.

The connectors have been developed for applications in plant engineering, control and electrical equipment construction. The user is responsible for checking whether the connectors can also be used in other areas of application.

Plug connectors with enclosure protection IP 67 and IP 68 are not suitable for use under water. When used outdoors, the plug connectors must be protected separately against corrosion. For further information on the IP protection classes, please refer to the "Technical Information" download centre.