

Product data sheet

Miniature connectors

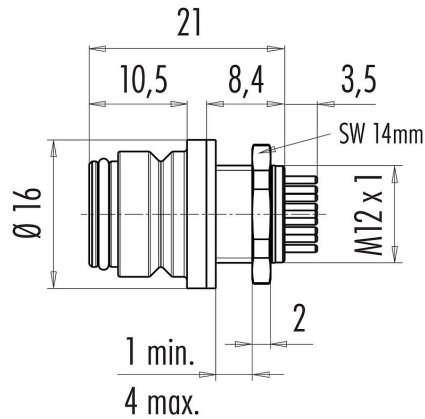


Product description	Snap-In IP67 female panel mount connector, Contacts: 8, unshielded, solder, IP67, VDE
Area	Snap-In IP67 series 720
Part no.	99 9128 00 08

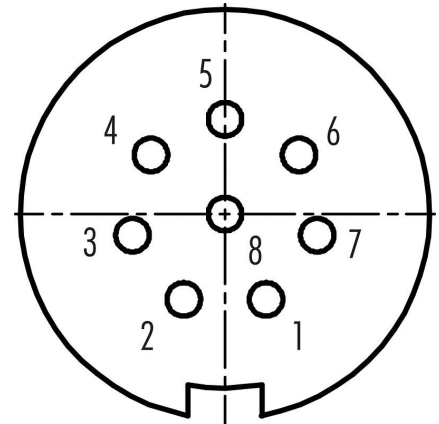
Illustration



Scale drawing



Contact arrangement (Plug-in side)



You can find the component part drawing and assembly instructions on the next page.

Technical data

General features

Part no.	99 9128 00 08
Connector design	female panel mount connector
Version	connector female straight
Connector locking system	snap
Termination	solder
Degree of protection	IP67
Cross-sectional area	max. 0.25 mm ² / max. AWG 24
Temperature range from/to	-25 °C / 85 °C
Mechanical operation	> 500 Mating cycles
Weight (g)	5.70
Customs tariff number	85369010

Electrical parameters

Rated voltage	125 V
Rated impulse voltage	1500 V
Rated current (40 °C)	2 A
Insulation resistance	≥ 10 ¹⁰ Ω
Pollution degree	2
Overvoltage category	II
Insulating material group	II
EMC compliance	unshielded



Product data sheet

Miniature connectors

Product description	Snap-In IP67 female panel mount connector, Contacts: 8, unshielded, solder, IP67, VDE
Area	Snap-In IP67 series 720
Part no.	99 9128 00 08

Material

Housing material	PA
Contact body material	PA (UL94 V-0) black
Contact material	CuSn (bronze)
Contact plating	Au (gold)
REACH SVHC	CAS 7439-92-1 (Lead)
SCIP number	3d8423f4-040f-424f-a5e4-ea5b3dcf737f

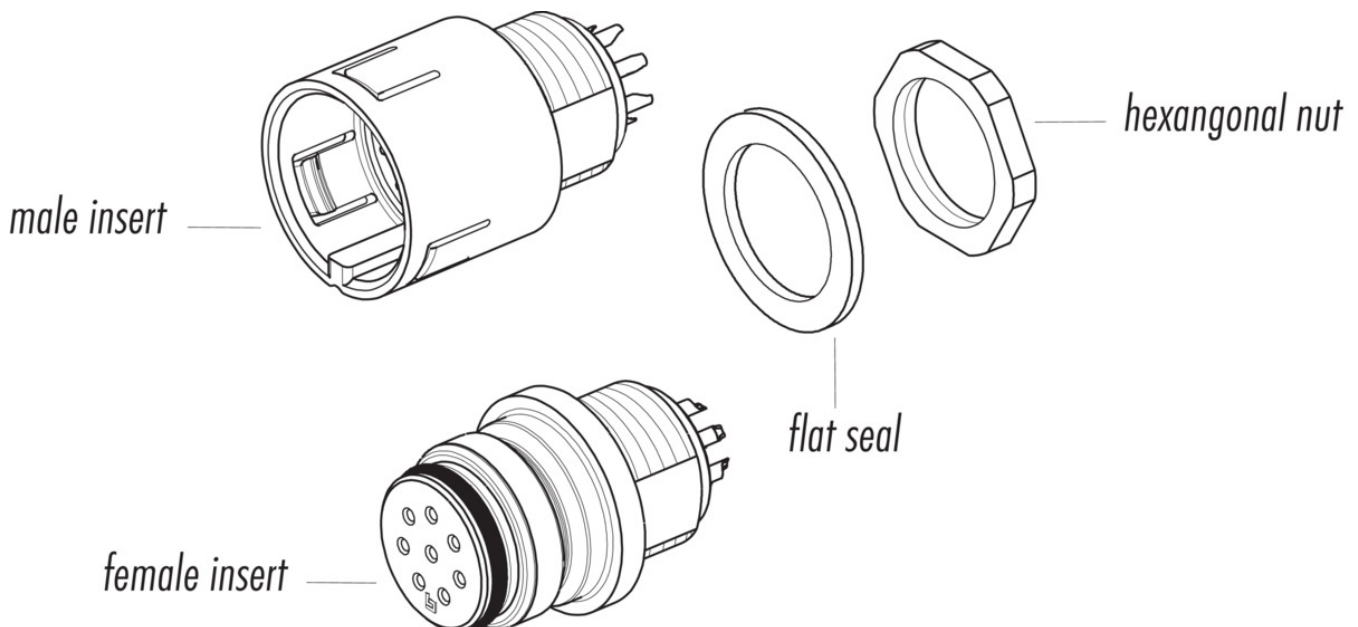
Authorization/approvals

Approvals	VDE
-----------	-----

Classifications

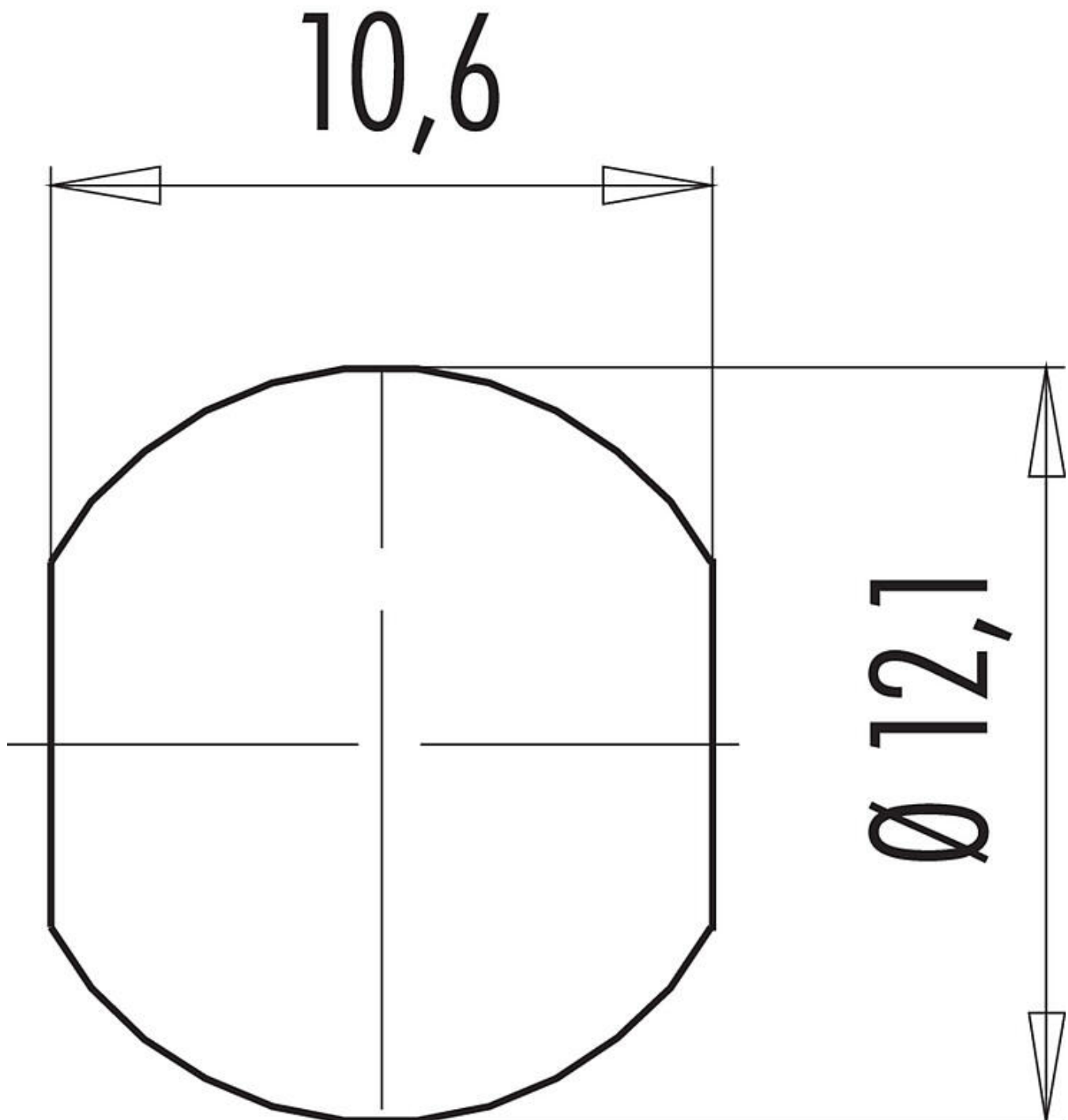
eCl@ss 11.1	27-44-01-02
ETIM 7.0	EC002635

Component part drawing



Product description	Snap-In IP67 female panel mount connector, Contacts: 8, unshielded, solder, IP67, VDE
Area	Snap-In IP67 series 720
Part no.	99 9128 00 08

Assembly instructions / Panel cut-out



Product data sheet

Miniature connectors



Product description	Snap-In IP67 female panel mount connector, Contacts: 8, unshielded, solder, IP67, VDE
Area	Snap-In IP67 series 720
Part no.	99 9128 00 08

Security notices

The connector must not be plugged or unplugged under load. Non-observance and improper use can result in personal injury.

The connectors have been developed for applications in plant engineering, control and electrical equipment construction. The user is responsible for checking whether the connectors can also be used in other areas of application.

Plug connectors with enclosure protection IP 67 and IP 68 are not suitable for use under water. When used outdoors, the plug connectors must be protected separately against corrosion. For further information on the IP protection classes, please refer to the "Technical Information" download centre.

