

| | |
|---------------------|---|
| Product description | Snap-In IP67 (miniature) female cable connector, Contacts: 12, 6.0 - 8.0 mm, unshielded, solder, IP67 |
| Area | Snap-In IP67 (miniature) series 720 |
| Order number | 99 9134 472 12 |

| Illustration | Scale drawing | Contact arrangement (Plug-in side) |
|--------------|---------------|------------------------------------|
| | | |

You can find the component part drawing on the next page.

Technical data

General features

| | |
|---------------------------|---|
| Order number | 99 9134 472 12 |
| Connector design | female cable connector |
| Version | connector female straight |
| Connector locking system | snap |
| Termination | solder |
| Degree of protection | IP67 |
| Cross-sectional area | max. 0.25 mm ² / max. AWG 24 |
| Cable outlet | 6.0 - 8.0 mm |
| Temperature range from/to | -40 °C / 85 °C |
| Mechanical operation | > 500 Mating cycles |
| Customs tariff number | 85369010 |

Electrical parameters

| | |
|---------------------------|----------------------|
| Rated voltage | 60 V |
| Rated impulse voltage | 800 V |
| Rated current (40 °C) | 2 A |
| Insulation resistance | ≥ 10 ¹⁰ Ω |
| Pollution degree | 2 |
| Overvoltage category | II |
| Insulating material group | II |
| EMC compliance | unshielded |

Material

| | |
|-----------------------|----------------------|
| Housing material | PA |
| Contact body material | PA (UL94 HB) green |
| Contact material | CuSn (bronze) |
| Contact plating | Au (gold) |
| REACH SVHC | CAS 7439-92-1 (Lead) |

Classifications

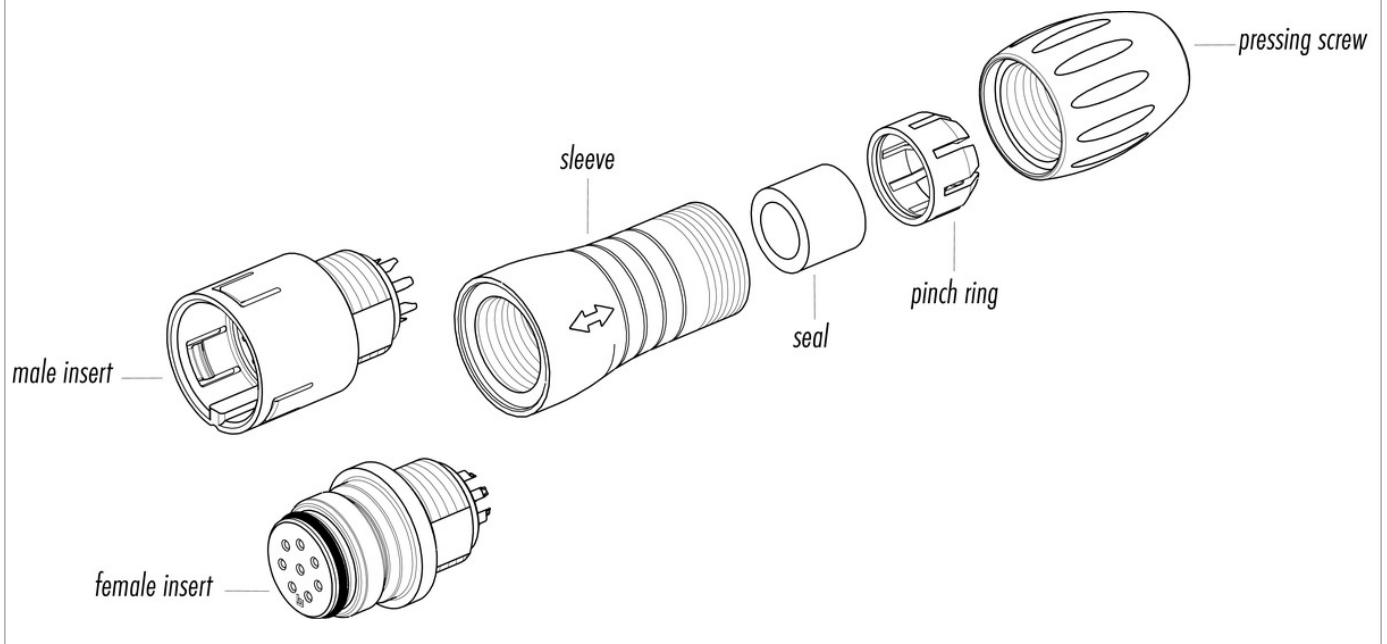
| | |
|-------------|-------------|
| eCl@ss 11.1 | 27-44-01-02 |
| ETIM 7.0 | EC002635 |

Declarations of conformity

| | |
|-----------------------|---|
| Low Voltage Directive | 2014/35/EU (EN 60204-1:2018; EN 60529:1991) |
|-----------------------|---|

| | |
|---------------------|---|
| Product description | Snap-In IP67 (miniature) female cable connector, Contacts: 12, 6.0 - 8.0 mm, unshielded, solder, IP67 |
| Area | Snap-In IP67 (miniature) series 720 |
| Order number | 99 9134 472 12 |

Component part drawing



| | |
|---------------------|---|
| Product description | Snap-In IP67 (miniature) female cable connector, Contacts: 12, 6.0 - 8.0 mm, unshielded, solder, IP67 |
| Area | Snap-In IP67 (miniature) series 720 |
| Order number | 99 9134 472 12 |

Security notices

The connectors have been developed for applications in plant engineering, control and electrical equipment construction. The user is responsible for checking whether the connectors can also be used in other areas of application.

Plug connectors with enclosure protection IP 67 and IP 68 are not suitable for use under water. When used outdoors, the plug connectors must be protected separately against corrosion. For further information on the IP protection classes, please refer to the "Technical Information" download centre.