

Product data sheet

Miniature connectors

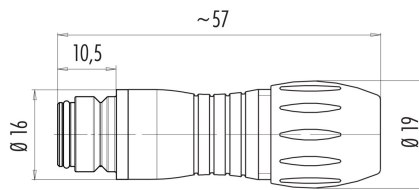


Product description	Snap-In IP67 female cable connector, Contacts: 12, 6.0 - 8.0 mm, unshielded, solder, IP67, VDE
Area	Snap-In IP67 series 720
Part no.	99 9134 52 12

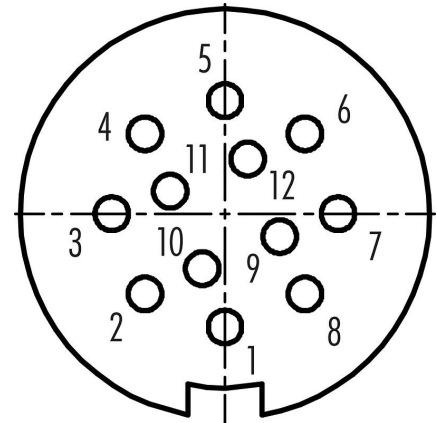
Illustration



Scale drawing



Contact arrangement (Plug-in side)



You can find the component part drawing and assembly instructions on the next page.

Technical data

General features

Part no.	99 9134 52 12
Connector design	female cable connector
Version	connector female straight
Connector locking system	snap
Termination	solder
Degree of protection	IP67
Cross-sectional area	max. 0.25 mm ² / max. AWG 24
Cable outlet	6.0 - 8.0 mm
Temperature range from/to	-25 °C / 85 °C
Mechanical operation	> 500 Mating cycles
Weight (g)	12.08
Customs tariff number	85369010

Electrical parameters

Rated voltage	60 V
Rated impulse voltage	800 V
Rated current (40 °C)	2 A
Insulation resistance	≥ 10 ¹⁰ Ω
Pollution degree	2
Overvoltage category	II
Insulating material group	II
EMC compliance	unshielded



Product data sheet

Miniature connectors

Product description	Snap-In IP67 female cable connector, Contacts: 12, 6.0 - 8.0 mm, unshielded, solder, IP67, VDE
Area	Snap-In IP67 series 720
Part no.	99 9134 52 12

Material

Housing material	PA
Contact body material	PA (UL94 HB) red
Contact material	CuSn (bronze)
Contact plating	Au (gold)
REACH SVHC	CAS 96-45-7 (Imidazolidine-2-thione) CAS 7439-92-1 (Lead)
SCIP number	2095fdfb-3630-4714-9b5f-8fd078ba9147

Authorization/approvals

Approvals	VDE
-----------	-----

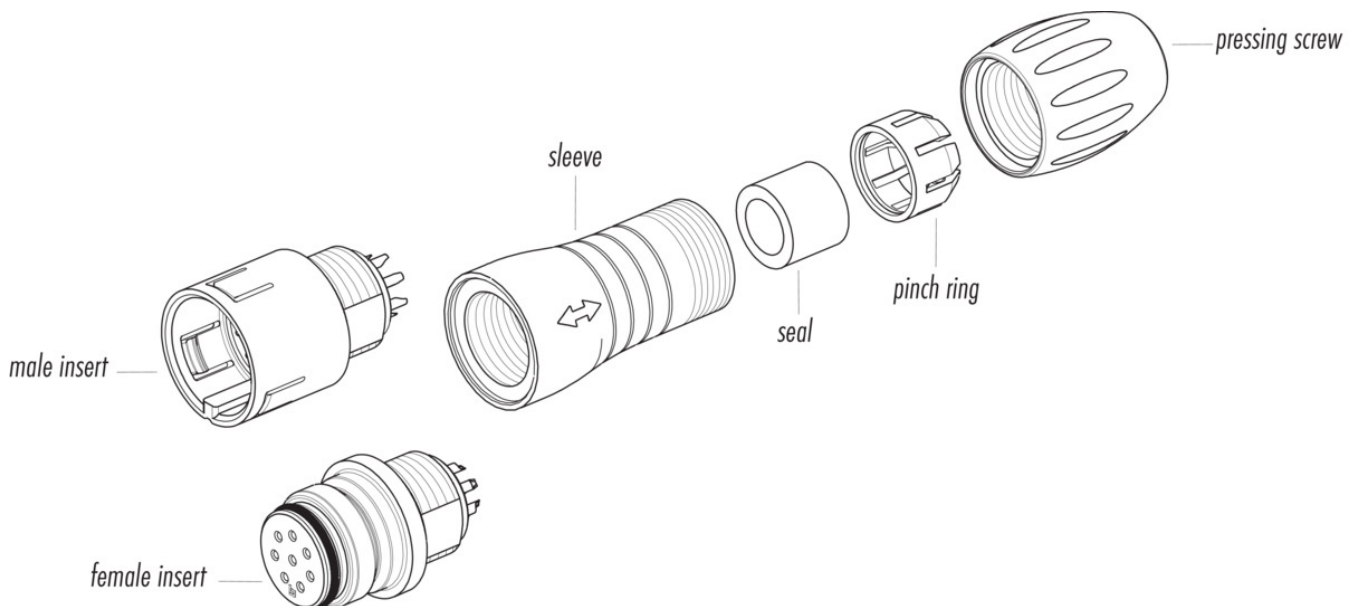
Classifications

eCl@ss 11.1	27-44-01-02
ETIM 7.0	EC002635

Declarations of conformity

Low Voltage Directive	2014/35/EU (EN 60204-1:2018;EN 60529:1991)
-----------------------	--

Component part drawing



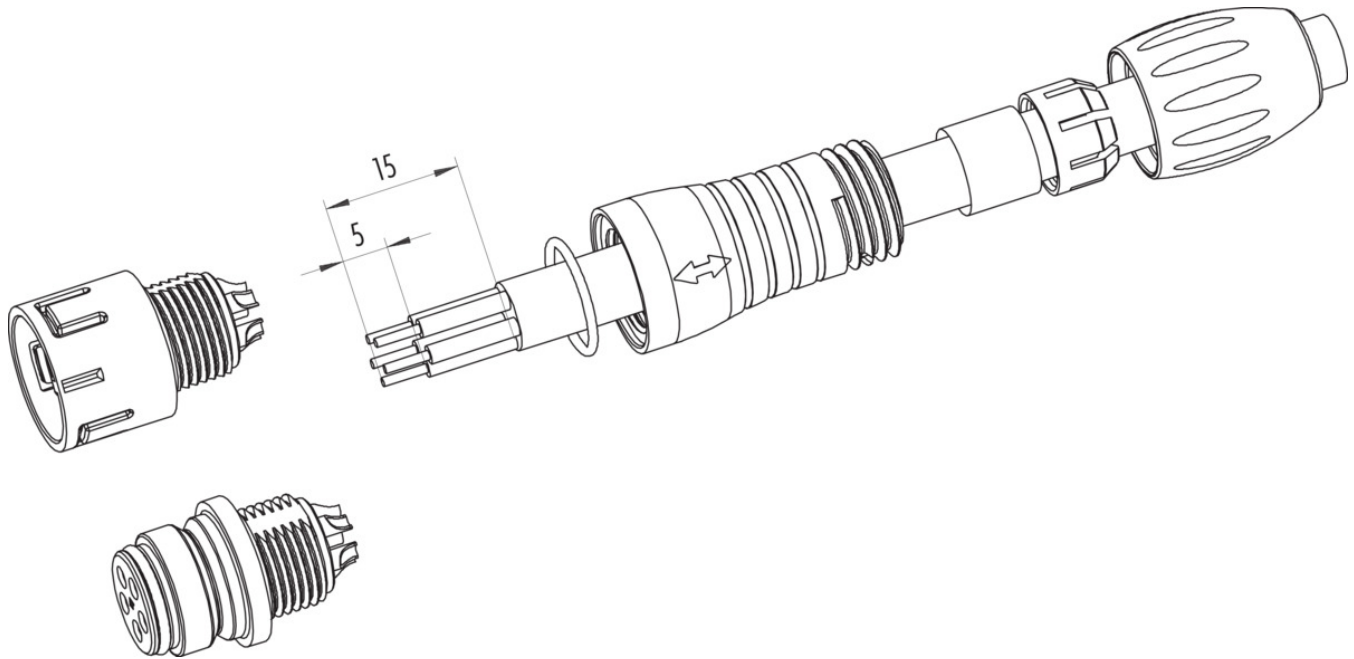
Product data sheet

Miniature connectors

Product description Snap-In IP67 female cable connector, Contacts: 12, 6.0 - 8.0 mm, unshielded, solder, IP67, VDE

Area Snap-In IP67 series 720
Part no. 99 9134 52 12

Assembly instructions



Product data sheet

Miniature connectors



Product description	Snap-In IP67 female cable connector, Contacts: 12, 6.0 - 8.0 mm, unshielded, solder, IP67, VDE
Area Part no.	Snap-In IP67 series 720 99 9134 52 12

Security notices

The connectors have been developed for applications in plant engineering, control and electrical equipment construction. The user is responsible for checking whether the connectors can also be used in other areas of application.

Plug connectors with enclosure protection IP 67 and IP 68 are not suitable for use under water. When used outdoors, the plug connectors must be protected separately against corrosion. For further information on the IP protection classes, please refer to the "Technical Information" download centre.

