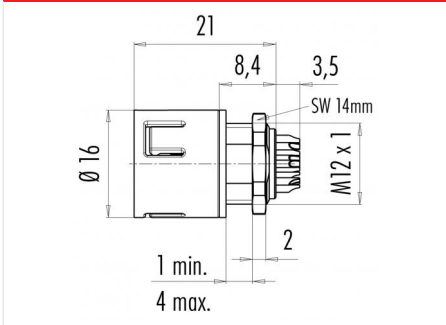


Product description	Snap-In IP67 male panel mount connector, Contacts: 12, unshielded, solder, IP67, VDE
Area	Snap-In IP67 series 720
Order number	99 9135 60 12

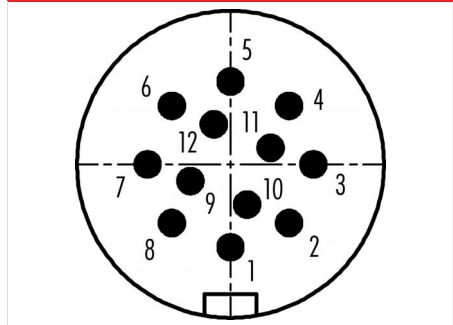
**Illustration**



**Scale drawing**



**Contact arrangement (Plug-in side)**



You can find the component part drawing and assembly instructions on the next page.

**Technical data**

**General features**

Order number	99 9135 60 12
Connector design	male panel mount connector
Version	connector male straight
Connector locking system	snap
Termination	solder
Degree of protection	IP67
Cross-sectional area	max. 0.25 mm <sup>2</sup> / max. AWG 24
Temperature range from/to	-25 °C / 85 °C
Mechanical operation	> 500 Mating cycles
Weight (g)	4.826
Customs tariff number	85369010

**Material**

Housing material	PA
Contact body material	PA (UL94 HB) blue
Contact material	CuZn (brass)
Contact plating	Au (gold)
REACH SVHC	CAS 7439-92-1 (Lead)

**Classifications**

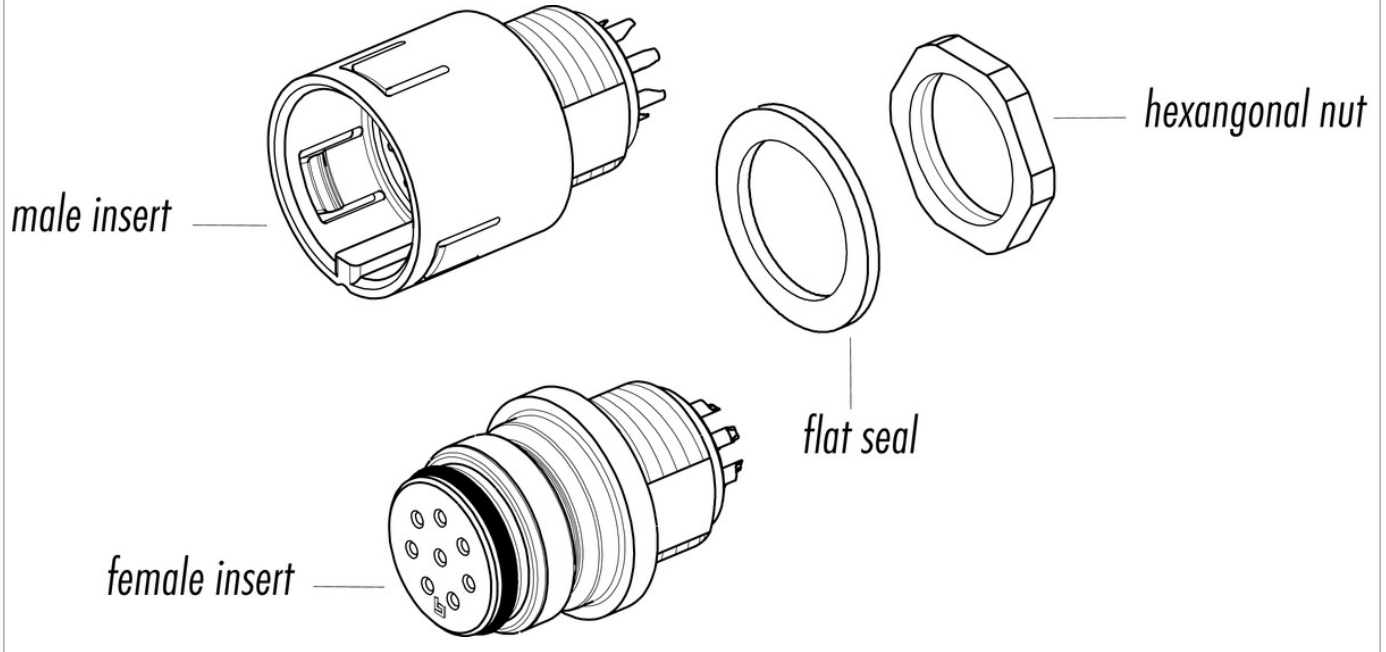
eCl@ss 11.1	27-44-01-02
ETIM 7.0	EC002635

**Electrical parameters**

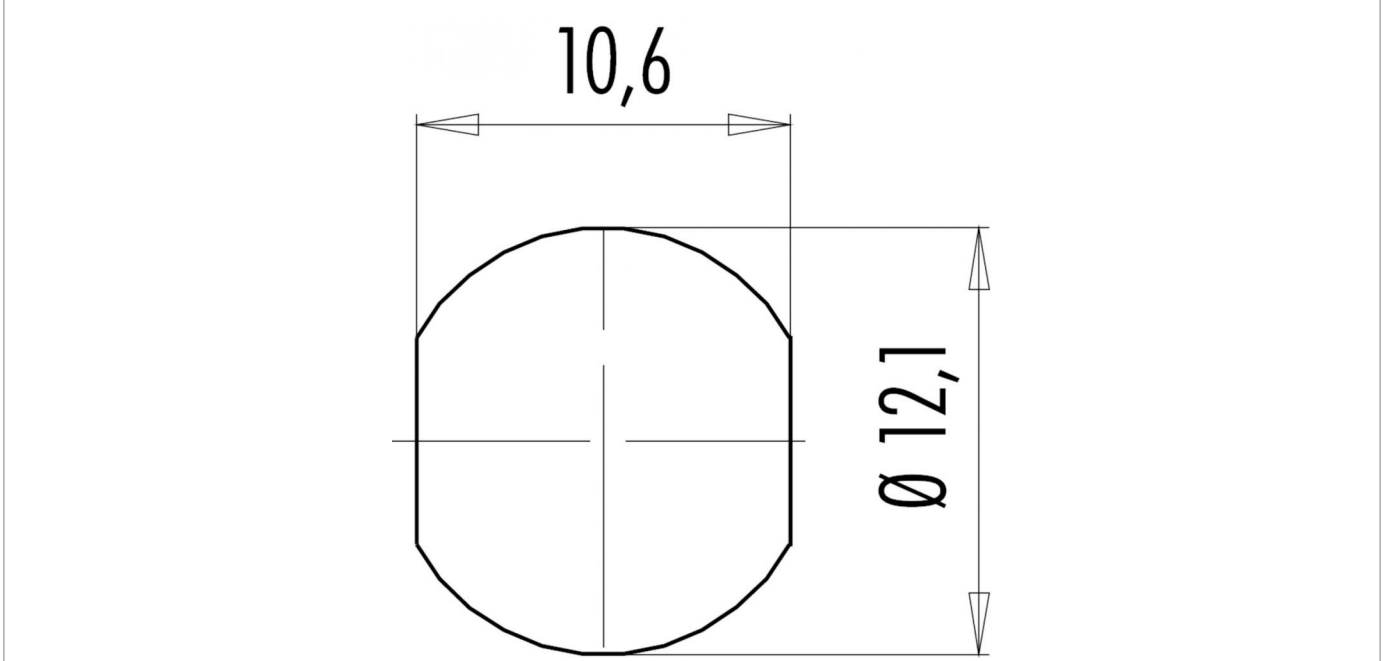
Rated voltage	60 V
Rated impulse voltage	800 V
Rated current (40 °C)	2 A
Insulation resistance	≥ 10 <sup>10</sup> Ω
Pollution degree	2
Overvoltage category	II
Insulating material group	II
EMC compliance	unshielded

Product description	Snap-In IP67 male panel mount connector, Contacts: 12, unshielded, solder, IP67, VDE
Area	Snap-In IP67 series 720
Order number	99 9135 60 12

Component part drawing



Assembly instructions / Panel cut-out



Product description	Snap-In IP67 male panel mount connector, Contacts: 12, unshielded, solder, IP67, VDE
Area	Snap-In IP67 series 720
Order number	99 9135 60 12

## Security notices

The connectors have been developed for applications in plant engineering, control and electrical equipment construction. The user is responsible for checking whether the connectors can also be used in other areas of application.

Plug connectors with enclosure protection IP 67 and IP 68 are not suitable for use under water. When used outdoors, the plug connectors must be protected separately against corrosion. For further information on the IP protection classes, please refer to the "Technical Information" download centre.