

Product data sheet

Miniature connectors

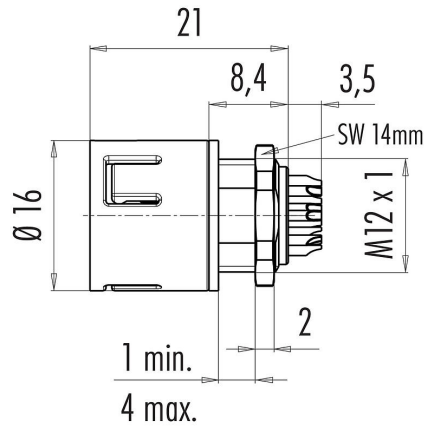


Product description	Snap-In IP67 male panel mount connector, Contacts: 12, unshielded, solder, IP67, VDE
Area	Snap-In IP67 series 720
Part no.	99 9135 70 12

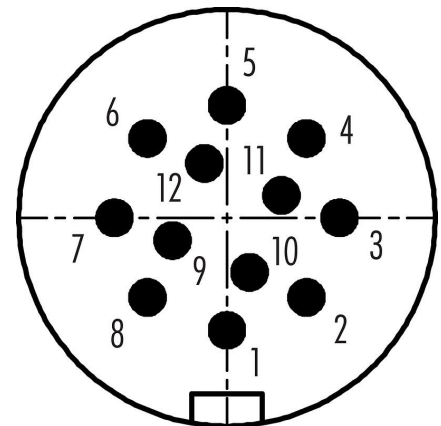
Illustration



Scale drawing



Contact arrangement (Plug-in side)



You can find the component part drawing and assembly instructions on the next page.

Technical data

General features

Part no.	99 9135 70 12
Connector design	male panel mount connector
Version	male straight
Connector locking system	snap
Termination	solder
Degree of protection	IP67
Cross-sectional area	max. 0.25 mm ² / AWG 24
Temperature range from/to	-25 °C / 85 °C
Mechanical operation	> 500 Mating cycles
Weight (g)	4.79
Customs tariff number	85369010

Electrical parameters

Rated voltage	60 V
Rated impulse voltage	800 V
Rated current (40 °C)	2,0 A
Insulation resistance	≥ 10 ¹⁰ Ω
Pollution degree	2
Overvoltage category	II
Insulating material group	II
EMC compliance	unshielded



Product data sheet

Miniature connectors

Product description	Snap-In IP67 male panel mount connector, Contacts: 12, unshielded, solder, IP67, VDE
Area	Snap-In IP67 series 720
Part no.	99 9135 70 12

Material

Housing material	PA
Contact body material	PA (UL94 HB) green
Contact material	CuZn (brass)
Contact plating	Au (gold)
REACH SVHC	CAS 7439-92-1 (Lead)
SCIP number	b63e5186-ae7a-42f1-aec6-8bc24d2b24a9

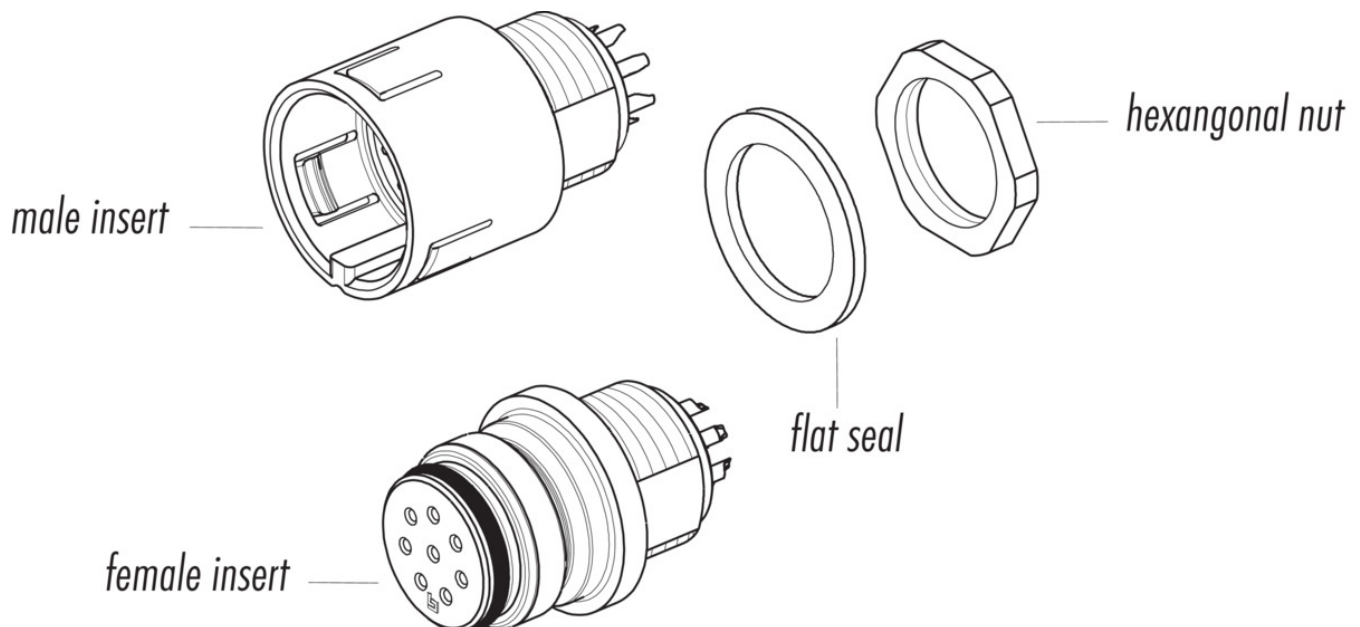
Authorization/approvals

Approvals	VDE
-----------	-----

Classifications

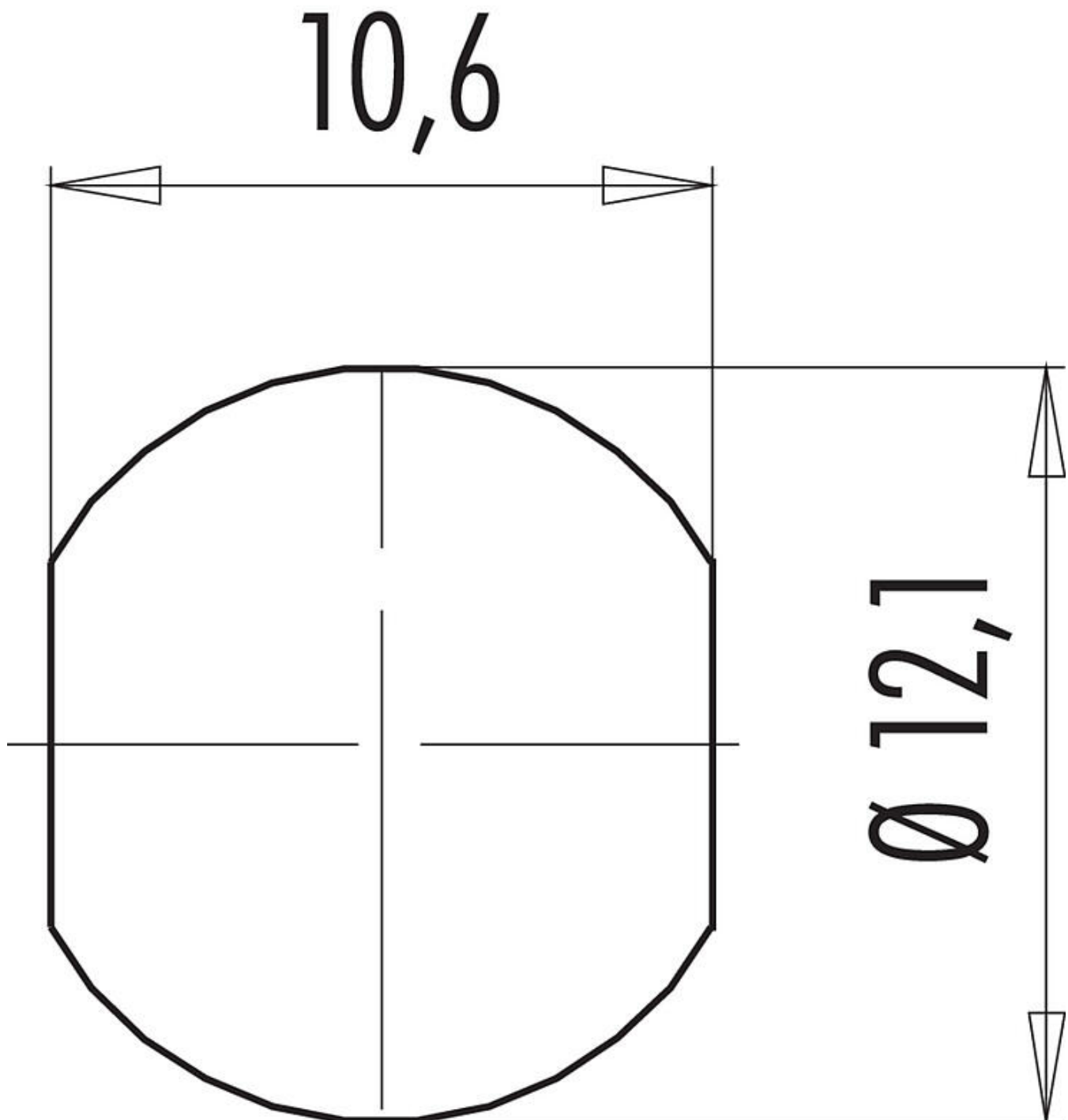
eCl@ss 11.1	27-44-01-02
ETIM 7.0	EC002635

Component part drawing



Product description	Snap-In IP67 male panel mount connector, Contacts: 12, unshielded, solder, IP67, VDE
Area	Snap-In IP67 series 720
Part no.	99 9135 70 12

Assembly instructions / Panel cut-out



Product description	Snap-In IP67 male panel mount connector, Contacts: 12, unshielded, solder, IP67, VDE
Area Part no.	Snap-In IP67 series 720 99 9135 70 12

Security notices

The connector must not be plugged or unplugged under load. Non-observance and improper use can result in personal injury.

The connectors have been developed for applications in plant engineering, control and electrical equipment construction. The user is responsible for checking whether the connectors can also be used in other areas of application.

To protect against unintentional opening of the connector, the thread between the housing and the connector head must be secured with a suitable cyanoacrylate adhesive when used in circuits with voltages dangerous to the touch. This does not apply to connectors used in SELV and PELV circuits according to IEC 61140 (EN 61140, VDE 0140-1).

Connectors which are used in circuits with voltages dangerous to the touch may only be installed and used by, or under the supervision of, persons with electrical engineering training, taking into account the applicable regulations and standards.

Plug connectors with enclosure protection IP 67 and IP 68 are not suitable for use under water. When used outdoors, the plug connectors must be protected separately against corrosion. For further information on the IP protection classes, please refer to the "Technical Information" download centre.