

Product data sheet

Subminiature connectors

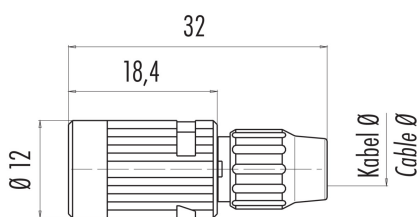


Product description	Bayonet female cable connector, Contacts: 7, 4.0 - 5.0 mm, unshielded, solder, IP40
Area	Bayonet series 710
Part no.	99 9476 102 07

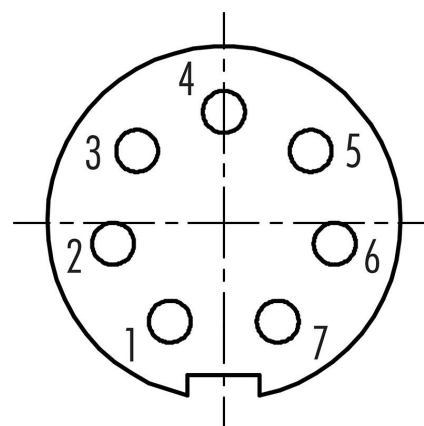
Illustration



Scale drawing



Contact arrangement (Plug-in side)



You can find the component part drawing on the next page.

Technical data

General features

Part no.	99 9476 102 07
Connector design	female cable connector
Version	female straight
Connector locking system	Bayonet
Termination	solder
Degree of protection	IP40
Cross-sectional area	max. 0.14 mm ² / AWG 26
Cable outlet	4.0 - 5.0 mm
Temperature range from/to	-40 °C / 85 °C
Mechanical operation	> 500 Mating cycles
Weight (g)	2.59
Customs tariff number	85369010

Electrical parameters

Rated voltage	125 V
Rated impulse voltage	1500 V
Rated current (40 °C)	1,0 A
Insulation resistance	≥ 10 ¹⁰ Ω
Pollution degree	1
Overvoltage category	II
Insulating material group	III

Product data sheet

Subminiature connectors

Product description	Bayonet female cable connector, Contacts: 7, 4.0 - 5.0 mm, unshielded, solder, IP40
Area	Bayonet series 710
Part no.	99 9476 102 07

EMC compliance unshielded

Material

Housing material	PA
Contact body material	PA (UL94 V-0)
Contact material	CuSn (bronze)
Contact plating	Au (gold)
REACH SVHC	CAS 7439-92-1 (Lead)
SCIP number	28eef7bc-b6cf-456b-b952-7a0b39b86655

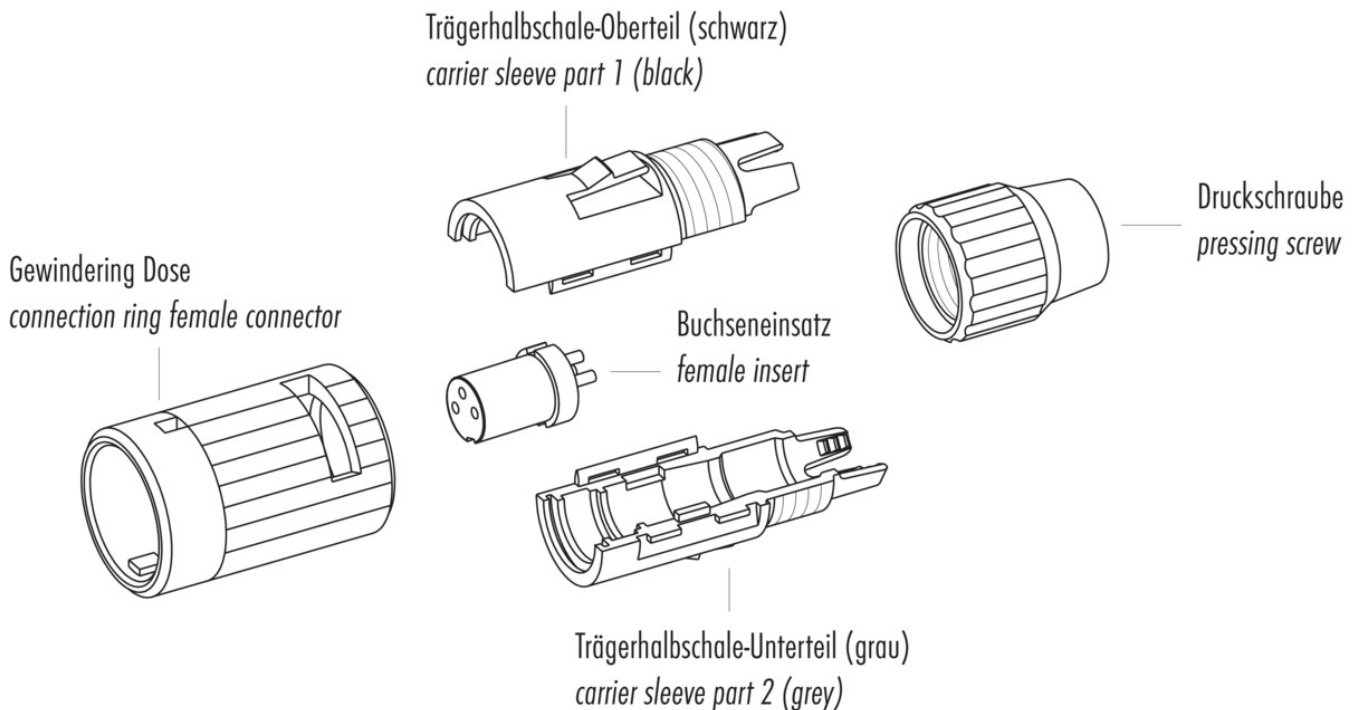
Classifications

eCl@ss 11.1	27-44-01-02
ETIM 7.0	EC002635

Declarations of conformity

Low Voltage Directive	2014/35/EU (EN 60204-1:2018;EN 60529:1991)
-----------------------	--------------------------------------------

Component part drawing



Product description	Bayonet female cable connector, Contacts: 7, 4.0 - 5.0 mm, unshielded, solder, IP40
Area	Bayonet series 710
Part no.	99 9476 102 07

Security notices

The connector must not be plugged or unplugged under load. Non-observance and improper use can result in personal injury.

The connectors have been developed for applications in plant engineering, control and electrical equipment construction. The user is responsible for checking whether the connectors can also be used in other areas of application.

Connectors which are used in circuits with voltages dangerous to the touch may only be installed and used by, or under the supervision of, persons with electrical engineering training, taking into account the applicable regulations and standards.