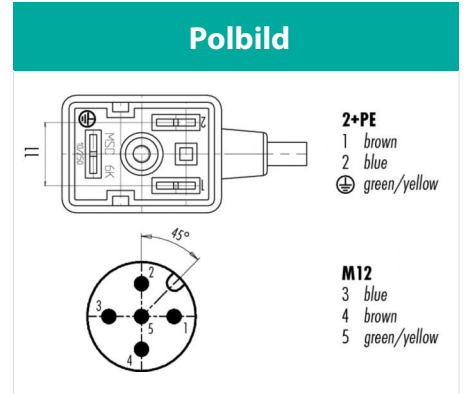
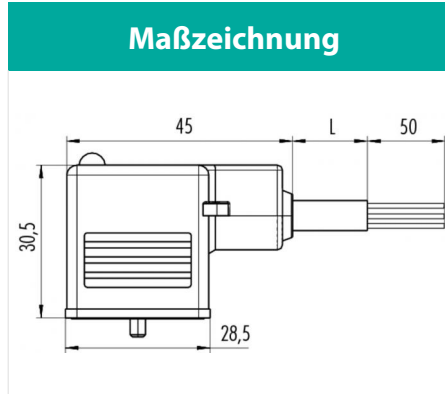


Bezeichnung **Size B (industry) solenoid socket, Contacts: 2+PE, not shielded, moulded on cable, IP67, PUR black**  
 Bereich **Size B (industry) series 220**  
 Bestellnummer **30 5535 500 000**



**Technische Daten**

**Allgemeine Kennwerte**

Vihje Please note that, due to the change from the old to the new order number, there may be deviations in the technical specifications. For questions about product details, please use the 'Contact Customer Service' form on the right.

Steckverbinder-Bauform solenoid socket  
 Steckverbinder Verriegelung central bolt  
 Anschlussart moulded on cable  
 Anschlußquerschnitt (mm) 0.75 mm<sup>2</sup>  
 Anschlußquerschnitt (AWG) 18  
 Obere Grenztemperatur 85 °C  
 Untere Grenztemperatur - 20 °C  
 Customs tariff number 85444290

**Elektrische Kennwerte**

Bemessungsstrom (40°C) 10 A  
 Bemessungsspannung 230 V  
 Bemessungs-Stoßspannung 4000 V  
 Verschmutzungsgrad 3  
 Überspannungskategorie III  
 Isolierstoffgruppe I  
 Insulation resistance  $\geq 10^{10} \Omega$   
 EMV-Tauglichkeit not shielded  
 Schutzart IP67  
 Mechanische Lebensdauer > 50 Mating cycles

**Werkstoffe**

Material Kontakt CuSn (bronze)  
 Kontaktoberfläche Sn (tin)  
 Material Kontaktkörper PA

**Kabeldaten**

Kabellänge 5 m  
 Materialmantel PUR  
 Litzenaufbau 3 x 0,75 mm  
 Kabeldurchmesser 5.9 mm

Bezeichnung	<b>Size B (industry) solenoid socket, Contacts: 2+PE, not shielded, moulded on cable, IP67, PUR black</b>
Bereich	<b>Size B (industry) series 220</b>
Bestellnummer	<b>30 5535 500 000</b>

## Security notices

The connector must not be connected or separated under load. Non-observance and incorrect use can result in personal injury.

The connectors are designed for use in plant, control system and electrical equipment. The end user is responsible for checking whether the connectors are suitable for use in other applications.

Connectors used in electrical circuits containing hazardous life parts must only be assembled and used by or under the supervision of persons with the requisite electrotechnical training, taking the applicable regulations and standards into account.