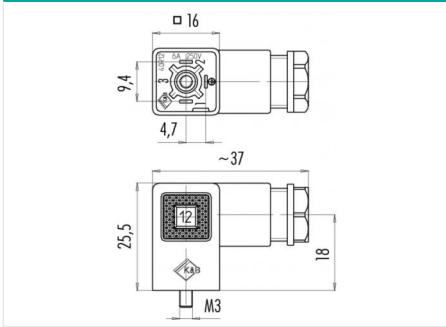


Bezeichnung	Size C (industry) female connector (panel mount), Contacts: 2+PE, 4.0 - 6.0 mm, not shielded, screw clamp, IP40 without seal
Bereich	Size C (industry) series 230
Bestellnummer	43 1930 000 03

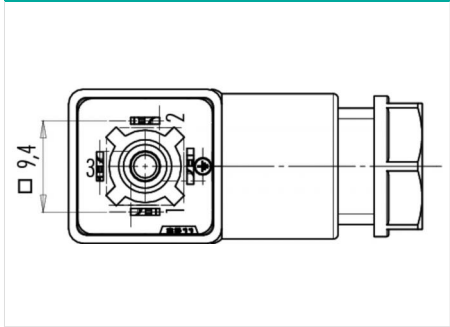
Abbildung



Maßzeichnung



Polbild



Technische Daten

Allgemeine Kennwerte

Steckverbinder-Bauform	female connector (panel mount)
Steckverbinder Verriegelung	central bolt
Anschlussart	screw clamp
Anschlußquerschnitt (mm)	max. 0.75 mm ²
Anschlußquerschnitt (AWG)	max. 19
Kabeldurchlass	4.0 - 6.0 mm
Obere Grenztemperatur	120 °C
Untere Grenztemperatur	- 20 °C
Customs tariff number	85369010

Elektrische Kennwerte

Bemessungsstrom (40°C)	6 A
Bemessungsspannung	250 V
Bemessungs-Stoßspannung	800 V
Verschmutzungsgrad	3
Überspannungskategorie	III
Isolierstoffgruppe	III
Insulation resistance	≥ 10 ¹⁰ Ω
EMV-Tauglichkeit	not shielded
Schutzart	IP40 without seal
	IP65 with seal, see accessories
	IP65 with seal, see accessories
Schutzart 2	> 50 Mating cycles
Mechanische Lebensdauer	

Werkstoffe

Material Kontakt	CuSn (bronze)
Kontaktoberfläche	Ni (nickel)
Material Kontaktkörper	PA (UL 94 HB)
Material Gehäuse	PBT

Bezeichnung	Size C (industry) female connector (panel mount), Contacts: 2+PE, 4.0 - 6.0 mm, not shielded, screw clamp, IP40 without seal
Bereich	Size C (industry) series 230
Bestellnummer	43 1930 000 03

Security notices

The connector must not be connected or separated under load. Non-observance and incorrect use can result in personal injury.

The connectors are designed for use in plant, control system and electrical equipment. The end user is responsible for checking whether the connectors are suitable for use in other applications.

Connectors used in electrical circuits containing hazardous life parts must only be assembled and used by or under the supervision of persons with the requisite electrotechnical training, taking the applicable regulations and standards into account.

Connectors with degree of protection IP 67 and IP 68 are not suitable for use under water. When used outdoors, the connectors must be separately protected against corrosion. For further information about IP degrees of protection refer to 'Technical support' in the Download Centre.