

Bezeichnung **M9 IP40 cable connector, Contacts: 3, 3.0 - 4.0 mm, Shielding is not possible, solder, IP40**
 Bereich **M9 IP40 series 711**
 Bestellnummer **99 0075 100 03**

Abbildung	Maßzeichnung	Polbild												
		<table border="1"> <thead> <tr> <th></th> <th>X</th> <th>Y</th> </tr> </thead> <tbody> <tr> <td>1</td> <td>1,55</td> <td>0,00</td> </tr> <tr> <td>2</td> <td>0,00</td> <td>1,55</td> </tr> <tr> <td>3</td> <td>-1,55</td> <td>0,00</td> </tr> </tbody> </table>		X	Y	1	1,55	0,00	2	0,00	1,55	3	-1,55	0,00
	X	Y												
1	1,55	0,00												
2	0,00	1,55												
3	-1,55	0,00												

Die Einzelteildarstellung finden Sie auf der nachfolgenden Seite.

Technische Daten

Allgemeine Kennwerte

Steckverbinder-Bauform	cable connector
Steckverbinder Verriegelung	screw
Anschlussart	solder
Anschlußquerschnitt (mm)	0.25 mm ²
Anschlußquerschnitt (AWG)	24
Kabeldurchlass	3.0 - 4.0 mm
Obere Grenztemperatur	85 °C
Untere Grenztemperatur	- 40 °C
Customs tariff number	85369010

Elektrische Kennwerte

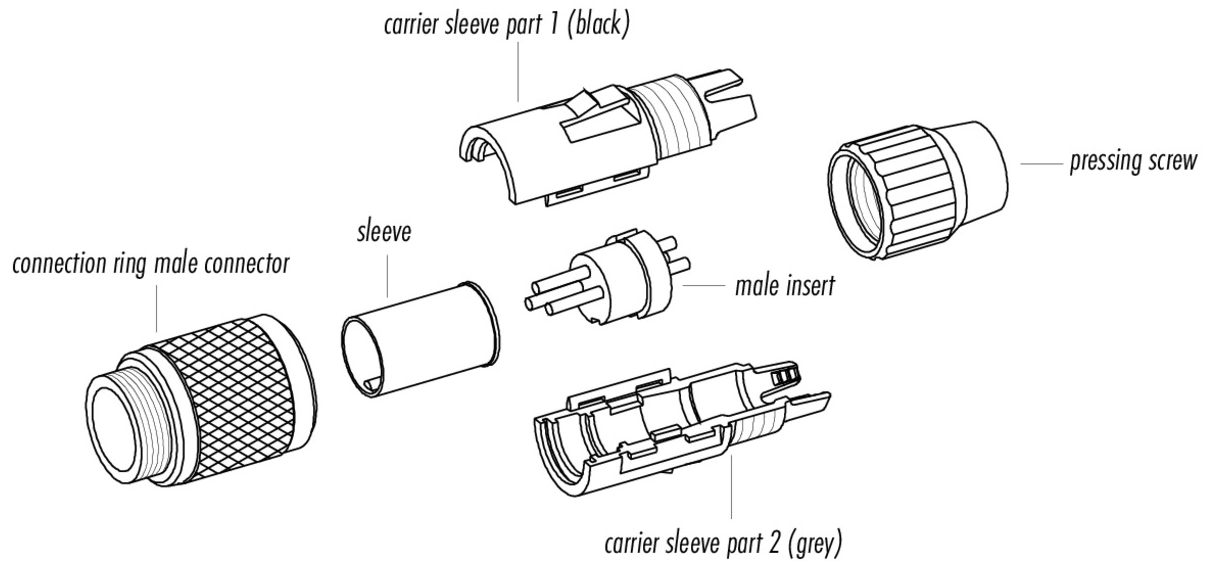
Bemessungsstrom (40°C)	4 A
Bemessungsspannung	125 V
Bemessungs-Stoßspannung	1500 V
Verschmutzungsgrad	1
Überspannungskategorie	II
Isolierstoffgruppe	III
Insulation resistance	≥ 10 ¹⁰ Ω
EMV-Tauglichkeit	Shielding is not possible
Schutzart	IP40
Mechanische Lebensdauer	> 500 Mating cycles

Werkstoffe

Material Kontakt	CuZn (brass)
Kontaktoberfläche	Au (gold)
Material Kontaktkörper	PA (UL 94 V-0)
Material Gehäuse	PA

Bezeichnung	M9 IP40 cable connector, Contacts: 3, 3.0 - 4.0 mm, Shielding is not possible, solder, IP40
Bereich	M9 IP40 series 711
Bestellnummer	99 0075 100 03

Einzelteildarstellung



Attention: max. torque of ring nut in socket connector: 50cNm (manual adjustment)

Bezeichnung	M9 IP40 cable connector, Contacts: 3, 3.0 - 4.0 mm, Shielding is not possible, solder, IP40
Bereich	M9 IP40 series 711
Bestellnummer	99 0075 100 03

Security notices

The connector must not be connected or separated under load. Non-observance and incorrect use can result in personal injury.

The connectors are designed for use in plant, control system and electrical equipment. The end user is responsible for checking whether the connectors are suitable for use in other applications.

Connectors used in electrical circuits containing hazardous life parts must only be assembled and used by or under the supervision of persons with the requisite electrotechnical training, taking the applicable regulations and standards into account.

To lock the cable connector to the equipment connector, the threaded ring is tightened until it is 'finger-tight' (approx. 50 cNm).